

Buck-Boost Transformer Installation Sheet

Revised on March 6th, 2009 by T.E.

If you are using this unit as an *isolation transformer* with a primary of 120 or 240 or 480 volts and the secondary of 12/24, 16/32, or 24/48 (depending on the model) use the wiring diagram located on the inside of the cover to the wiring compartment.

If you are using this unit as an *auto transformer* to buck (lower) or boost (raise) the voltage by a 12 to 48 volts use the information below to select the proper wiring diagram. Step by step wiring instructions are available in the Buck-Boost Application Manual. Available on our website, [RESOURCES > Technical Documents].

For 50Hz applications, use 516 series units.
516-xxxx items use same wiring as 416-xxxx

Single Phase Chart (Requires 1 transformer)			
Low Voltage (LV)	High Voltage (HV)	Catalog Number*	Diagram #
95	120	416-12xx	2
100	120	416-11xx	2
106	120	416-12xx	1
109	120	416-11xx	1
120	132	416-11xx	1
120	136	416-12xx	1
120	144	416-11xx	2
120	152	416-12xx	2
200	240	416-14xx	2
208	236	416-12xx	4
212	240	416-12xx	4
208	230	416-11xx	4
218	240	416-11xx	4
225	240	416-12xx	3
230	276	416-14xx	2
240	252	416-11xx	3
240	264	416-11xx	4
240	272	416-12xx	4
240	288	416-14xx	2
437	480	416-14xx	4
457	480	416-14xx	3
480	504	416-14xx	3
480	528	416-14xx	4

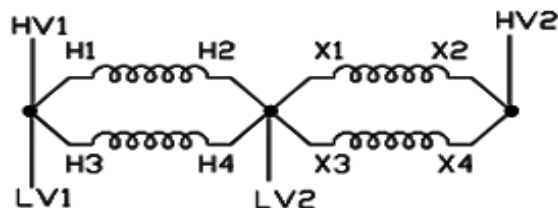


Diagram 1

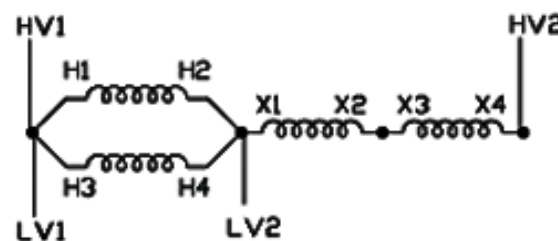


Diagram 2

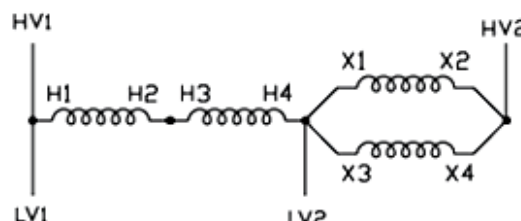


Diagram 3

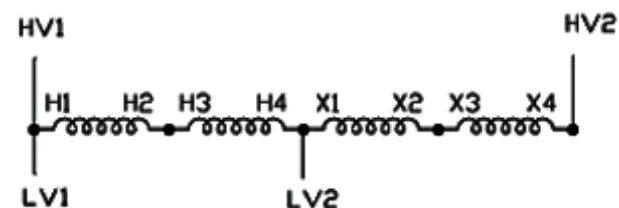
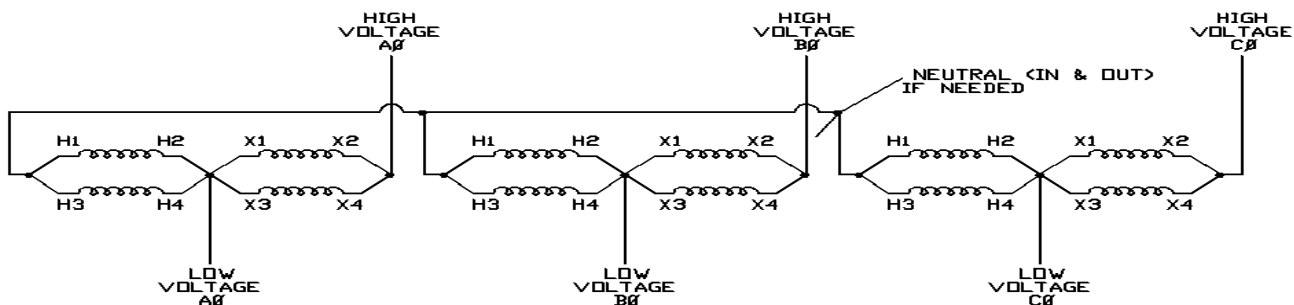


Diagram 4

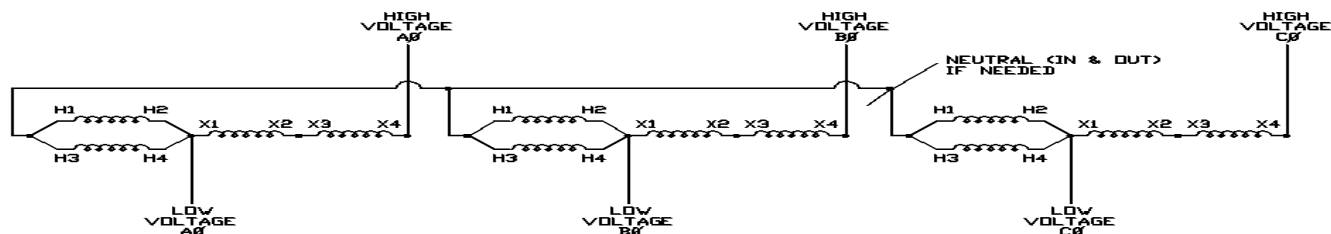
For 50Hz applications use 516 series units.
516-xxxx items use same wiring as 416-xxxx

Open Delta Chart (Requires 2 transformers)			
Low Voltage (LV)	High Voltage (HV)	Catalog Number*	Diagram #
200	240	416-14xx	10
208	236	416-12xx	12
212	240	416-12xx	12
208	230	416-11xx	12
218	240	416-11xx	12
225	240	416-12xx	11
229	240	416-11xx	11
230	253	416-14xx	9
230	276	416-14xx	10
240	252	416-11xx	11
240	264	416-11xx	12
240	272	416-12xx	12
240	288	416-14xx	10
437	480	416-14xx	12
457	480	416-14xx	11
480	504	416-14xx	11
480	528	416-14xx	12

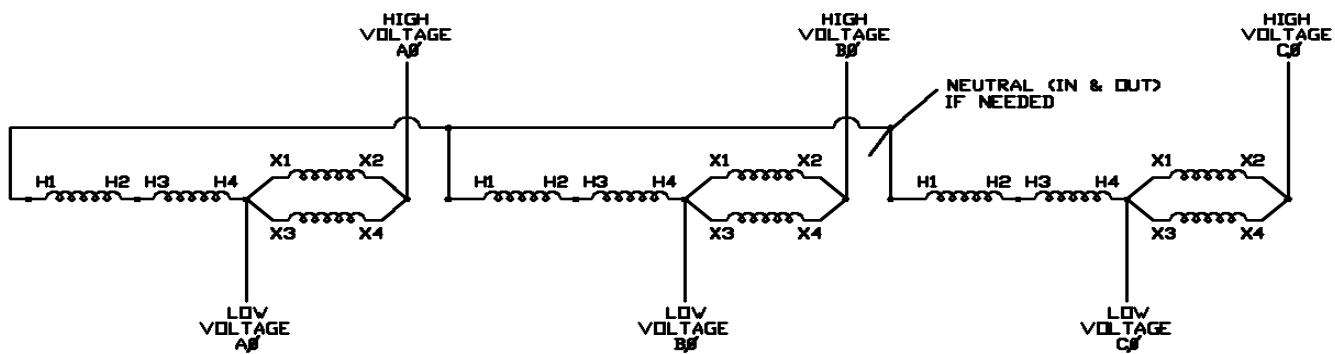
3-Phase Wye Chart (Requires 3 transformers)			
Low Voltage (LV)	High Voltage (HV)	Catalog Number*	Diagram #
164	208	416-12xx	6
173	208	416-11xx	6
183	208	416-12xx	5
189	208	416-11xx	5
208	229	416-11xx	5
208	235	416-12xx	5
208	249	416-11xx	6
208	263	416-12xx	6
346	416	416-14xx	6
367	416	416-12xx	8
378	416	416-11xx	8
390	416	416-12xx	7
397	416	416-11xx	7
398	438	416-14xx	5
398	478	416-14xx	6
416	437	416-11xx	7
416	443	416-12xx	7
416	457	416-11xx	8
416	471	416-12xx	8
416	498	416-14xx	6



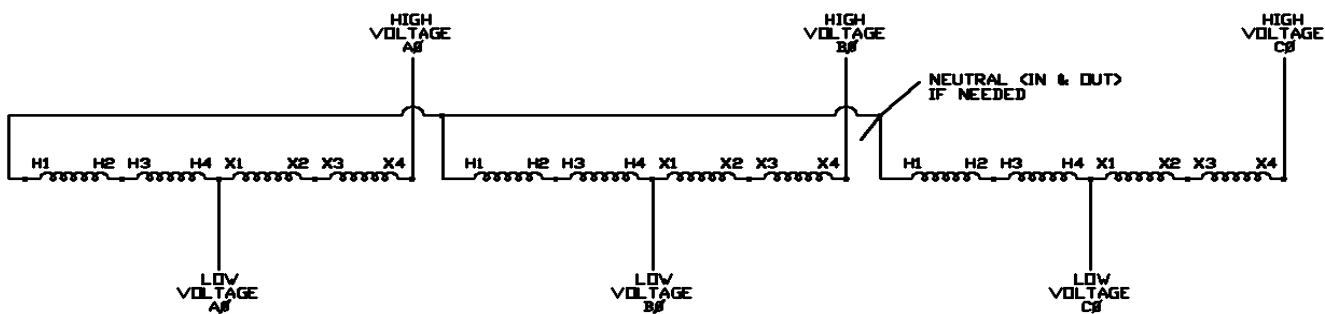
WIRING DIAGRAM 5



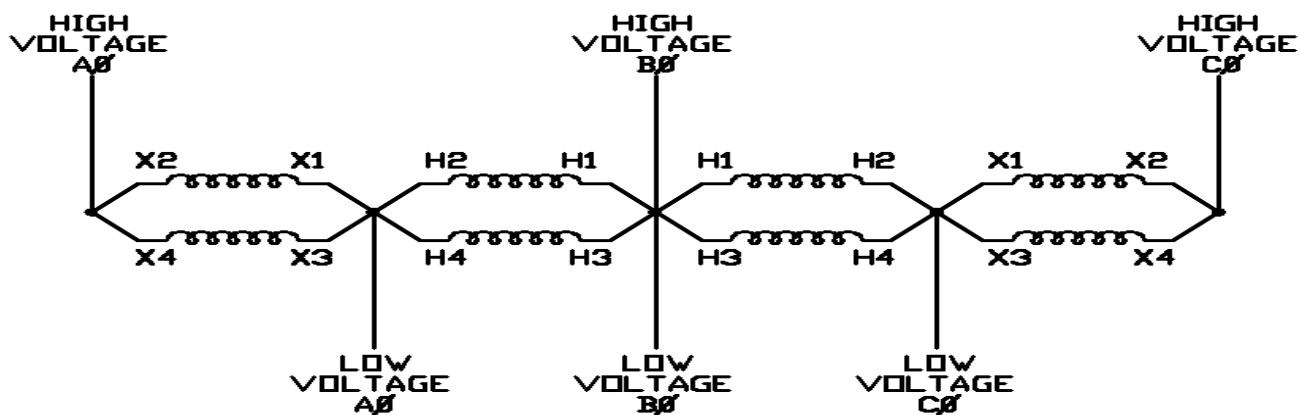
WIRING DIAGRAM 6



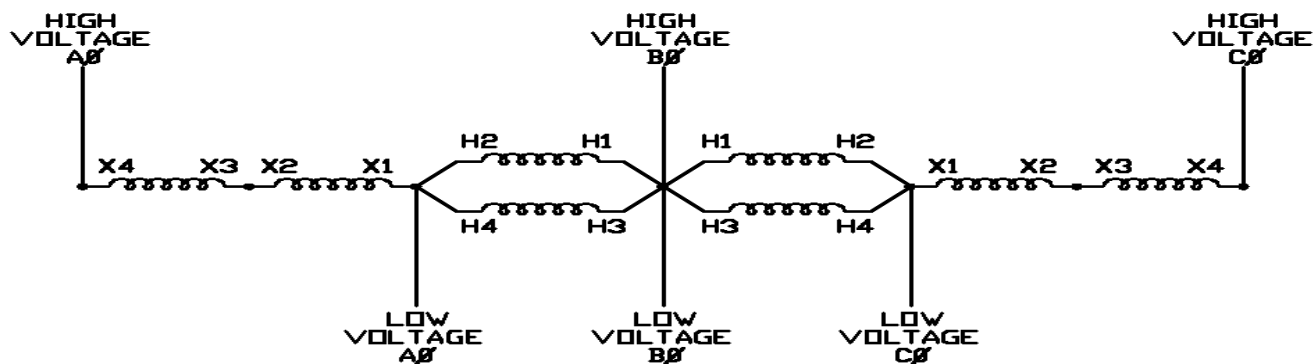
WIRING DIAGRAM 7



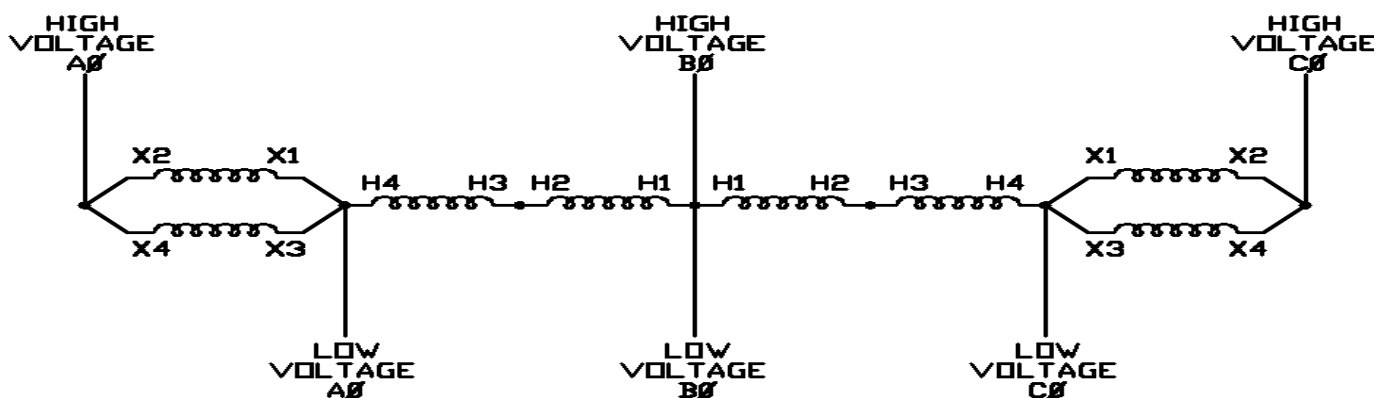
WIRING DIAGRAM 8



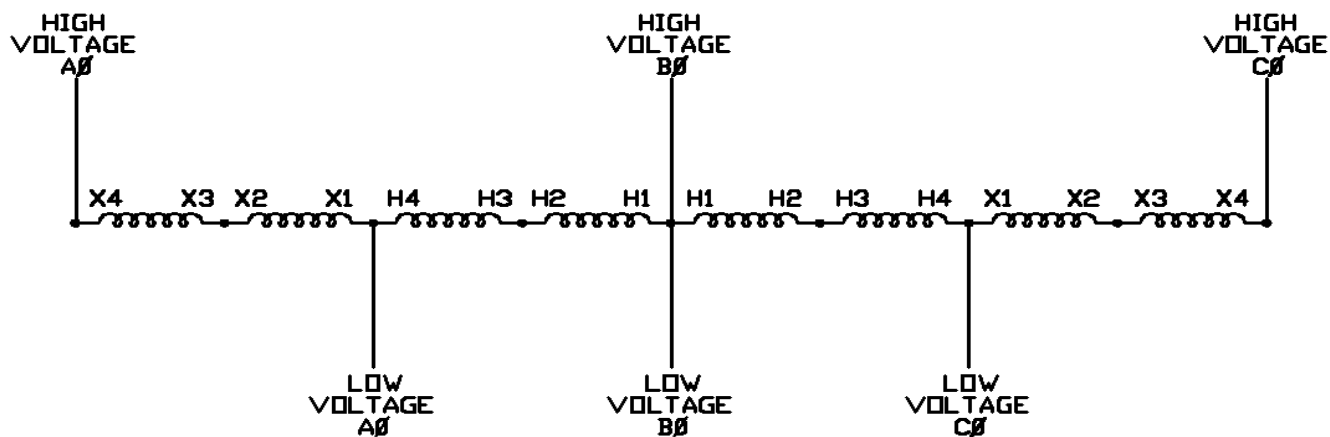
WIRING DIAGRAM 9



WIRING DIAGRAM 10



WIRING DIAGRAM 11



WIRING DIAGRAM 12