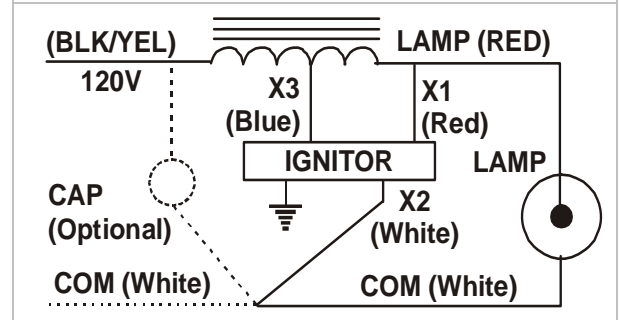
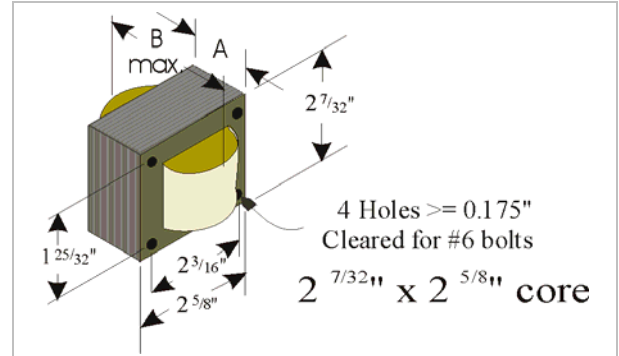




Catalog No.:	406-0150-120
Ballast Type	High Pressure Sodium
Lamp	150W S55
Circuit Type	R-NPF w/o capacitor R-HPF with capacitor
Frequency	60 Hz
Status	Production
Replace	

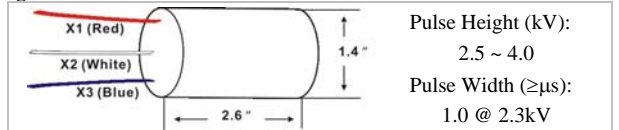
Input Voltage (V)	120				
Line Current (A)	Operating	1.4			
	Open Circuit	2.35			
	Starting	1.8			
Recommended Fuse	8				
Input Voltage At Lamp Dropout	60				
UL Class H 180°C Temp. Code	A				
Nom. Open Circuit Voltage	120				
Input Power (W)	166				
Efficiency (%)					
Power Factor (≥%)	90				
Regulation (±%)	Line Volts	5			
	Lamp Watts	10			
Min. Starting Temp	-20°F / -30°C				
Ballast Dimension (inches)	A	2.1			
	B	3.5			
Ballast Net Weight (lbs)	3.1				
Lead Length (inches)	12				
Capacitor (Optional)	Capacitance (µF)	55			
	Min VAC Rating (V)	120			
Requires Ignitor Model	HPSR1				
Coil Material (Pri. / Sec.)	Cu				



60 Hz. Test Procedures

Short Circuit Current (A)	Secondary	Min	3.5		
		Max	4.8		
Open Circuit Voltage (V)	Input	Min	110		
		Max	130		
High Potential Test (V)	1 Minute	1,400			
	1 Second	1,700			

Ignitor: HPSR1



Ref. Lamp Data

Starting Current (A)	Test Range	ANSI Standard
CCF	1.5	3.5 ~ 4.8
OCV (V)	110 ~ 130	≤1.8
Off Time (Sec.)		
Peak Current (A)		
Overshoot (V)		
VSS (V)		

Capacitor: Contact Jefferson Electric for additional capacitor options

Diameter	1.37"
Height	3.12"

Ordering Information (Add suffix for options)

-WB	With welded bracket
-I	With ignitor
-DC	With dry film capacitor
-OC	With oil filled capacitor
-K	With distributor replacement kit (includes bracket, capacitor and ignitor as necessary.)

Document No.:	406-0150-120-09-04
Date:	04/29/09

Data is based upon tests performed in a controlled environment and represents relative performance. Actual performance may vary depending on lamp and operating conditions. Specifications are subject to change without notice