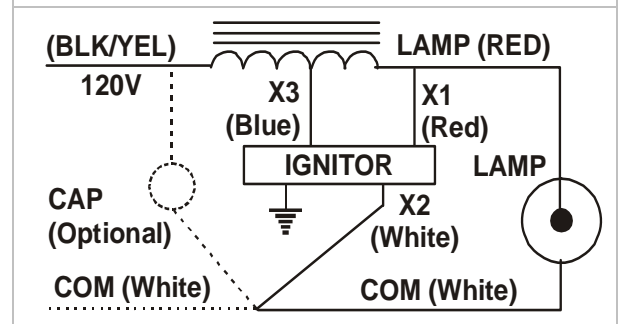
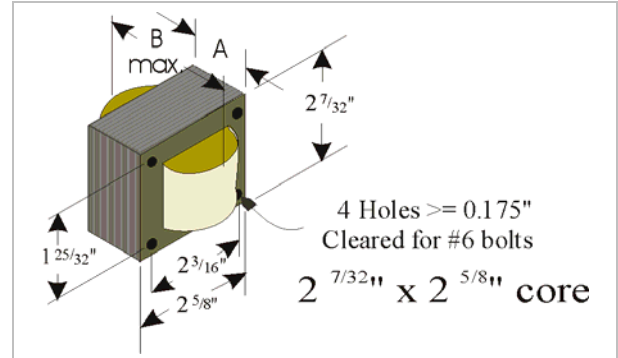




Catalog No.:	406-0100-120
Ballast Type	High Pressure Sodium
Lamp	100W S54
Circuit Type	R-NPF w/o capacitor R-HPF with capacitor
Frequency	60 Hz
Status	Production
Replace	

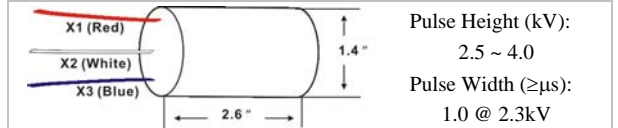
Input Voltage (V)		120			
Line Current (A)	Operating	1.1			
	Open Circuit	1.8			
	Starting	1.3			
Recommended Fuse		6			
Input Voltage At Lamp Dropout		60			
UL Class H 180°C Temp. Code		A			
Nom. Open Circuit Voltage		120			
Input Power (W)		112			
Efficiency (%)					
Power Factor (≥%)		90			
Regulation (±%)	Line Volts	5			
	Lamp Watts	10			
Min. Starting Temp		-20°F / -30°C			
Ballast Dimension (inches)	A	1.54			
	B	2.8			
Ballast Net Weight (lbs)		2.4			
Lead Length (inches)		12			
Capacitor (Optional)	Capacitance (µF)	36			
	Min VAC Rating (V)	120			
Requires Ignitor Model		HPSR1			
Coil Material (Pri. / Sec.)		Cu			



60 Hz. Test Procedures

Short Circuit Current (A)	Secondary	Min	2.1		
		Max	3.0		
Open Circuit Voltage (V)	Input	Min	0.9		
		Max	2.8		
		Min	110		
High Potential Test (V)		Max	130		
		1 Minute	1,400		
		1 Second	1,700		

Ignitor: HPSR1



Ref. Lamp Data

Starting Current (A)	Test Range	ANSI Standard
CCF	1.5	2.1 ~ 3.0
OCV (V)	110 ~ 130	≤1.8
Off Time (Sec.)		
Peak Current (A)		
Overshoot (V)		
VSS (V)		

Ordering Information (Add suffix for options)

-WB	With welded bracket
-I	With ignitor
-DC	With dry film capacitor
-OC	With oil filled capacitor
-K	With distributor replacement kit (includes bracket, capacitor and ignitor as necessary.)

Capacitor: Contact Jefferson Electric for additional capacitor options

Diameter	1.37"
Height	3.12"

Document No.:	406-0100-120-09-04
Date:	04/30/09

Data is based upon tests performed in a controlled environment and represents relative performance. Actual performance may vary depending on lamp and operating conditions. Specifications are subject to change without notice