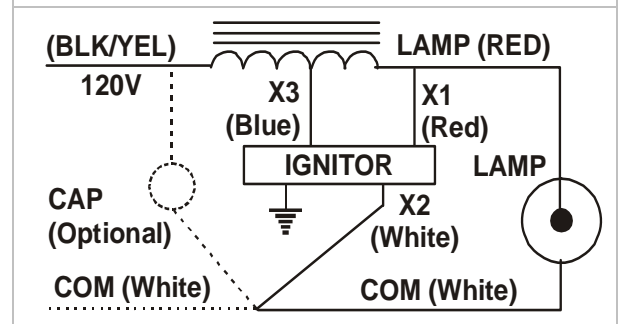
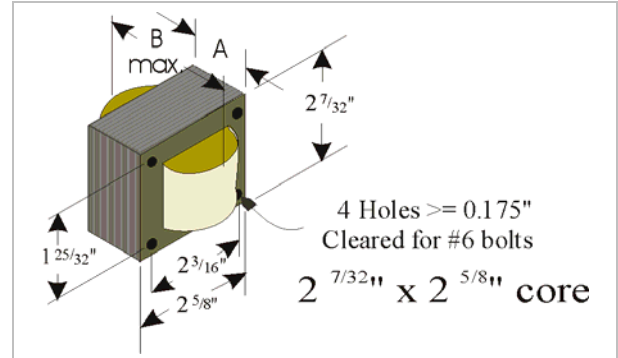




Catalog No.:	406-0050-120
Ballast Type	High Pressure Sodium
Lamp	50W S68
Circuit Type	R-NPF w/o capacitor R-HPF with capacitor
Frequency	60 Hz
Status	Production
Replace	

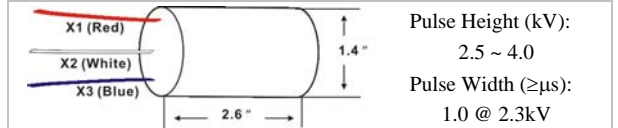
Input Voltage (V)		120			
Line Current (A)	Operating	0.6			
	Open Circuit	0.9			
	Starting	0.9			
Recommended Fuse		3			
Input Voltage At Lamp Dropout		60			
UL Class H 180°C Temp. Code		A			
Nom. Open Circuit Voltage		120			
Input Power (W)		62			
Efficiency (%)					
Power Factor (≥%)		90			
Regulation (±%)	Line Volts	5			
	Lamp Watts	10			
Min. Starting Temp		-20°F / -30°C			
Ballast Dimension (inches)	A	0.8			
	B	2.0			
Ballast Net Weight (lbs)		1.8			
Lead Length (inches)		12			
Capacitor (Optional)	Capacitance (µF)	20			
	Min VAC Rating (V)	120			
Requires Ignitor Model		HPSR1			
Coil Material (Pri. / Sec.)		Cu			



60 Hz. Test Procedures

Short Circuit Current (A)	Secondary	Min	1.4		
		Max	2.0		
	Input	Min	0.6		
		Max	2.0		
Open Circuit Voltage (V)		Min	110		
		Max	130		
High Potential Test (V)	1 Minute	1,400			
	1 Second	1,700			

Ignitor: HPSR1



Ref. Lamp Data

	Test Range	ANSI Standard
Starting Current (A)	1.6	1.2 ~ 1.9
CCF	1.7	≤1.8
OCV (V)	110 ~ 130	
Off Time (Sec.)		
Peak Current (A)		
Overshoot (V)		
VSS (V)		

Capacitor: Contact Jefferson Electric for additional capacitor options

Diameter	1.37"
Height	3.12"

Ordering Information (Add suffix for options)

-WB	With welded bracket
-I	With ignitor
-DC	With dry film capacitor
-OC	With oil filled capacitor
-K	With distributor replacement kit (includes bracket, capacitor and ignitor as necessary.)

Document No.:	406-0050-120-09-04
Date:	04/30/2009

Data is based upon tests performed in a controlled environment and represents relative performance. Actual performance may vary depending on lamp and operating conditions. Specifications are subject to change without notice