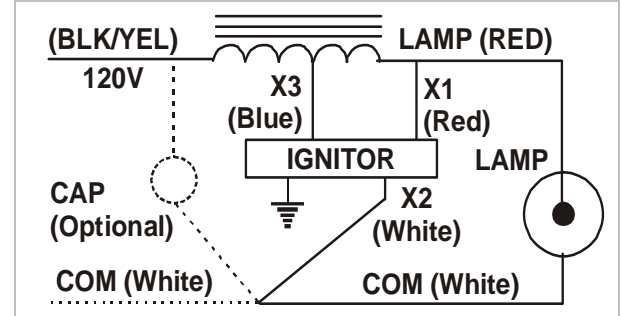
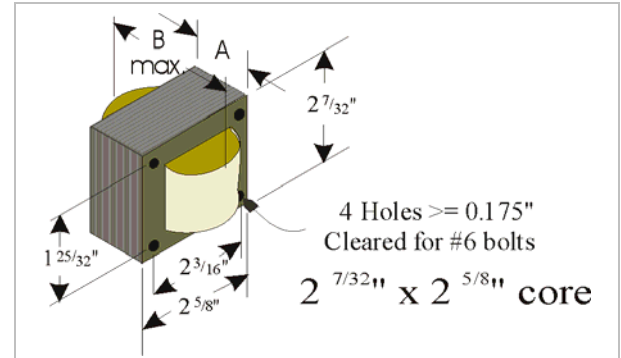




Catalog No.:	406-0035-120
Ballast Type	High Pressure Sodium
Lamp	35W S76
Circuit Type	R-NPF w/o capacitor R-HPF with capacitor
Frequency	60 Hz
Status	Production
Replace	



Input Voltage (V)	120				
Line Current (A)	Operating	0.4			
	Open Circuit	0.8			
	Starting	0.6			
Recommended Fuse	3				
Input Voltage At Lamp Dropout	60				
UL Class H 180°C Temp. Code	A				
Nom. Open Circuit Voltage	120				
Input Power (W)	54				
Efficiency (%)					
Power Factor (≥%)	90				
Regulation (±%)	Line Volts	5			
	Lamp Watts	10			
Min. Starting Temp	-20°F / -30°C				
Ballast Dimension (inches)	A	0.61			
	B	1.8			
Ballast Net Weight (lbs)	1.1				
Lead Length (inches)	12				
Capacitor (Optional)	Capacitance (µF)	14			
	Min VAC Rating (V)	120			
Requires Ignitor Model	HPSR1				
Coil Material (Pri. / Sec.)	Cu				



60 Hz. Test Procedures

Short Circuit Current (A)	Secondary	Min	0.8		
		Max	1.3		
Open Circuit Voltage (V)	Input	Min	0.4		
		Max	1.2		
High Potential Test (V)	1 Minute	Min	110		
		Max	130		
High Potential Test (V)	1 Second	Min	1,400		
		Max	1,700		

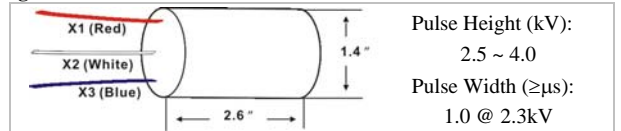
Ref. Lamp Data

Starting Current (A)	Test Range	ANSI Standard
CCF	1.5	0.8 ~ 1.3
OCV (V)	110 ~ 130	≤1.8
Off Time (Sec.)		
Peak Current (A)		
Overshoot (V)		
VSS (V)		

Ordering Information (Add suffix for options)

-WB	With welded bracket
-I	With ignitor
-DC	With dry film capacitor
-OC	With oil filled capacitor
-K	With distributor replacement kit (includes bracket, capacitor and ignitor as necessary.)

Ignitor: HPSR1



Capacitor: Contact Jefferson Electric for additional capacitor options

Diameter	1.37"
Height	3.12"

Document No.: **406-0035-120-09-04**
Date: **04/29/09**

Data is based upon tests performed in a controlled environment and represents relative performance. Actual performance may vary depending on lamp and operating conditions. Specifications are subject to change without notice