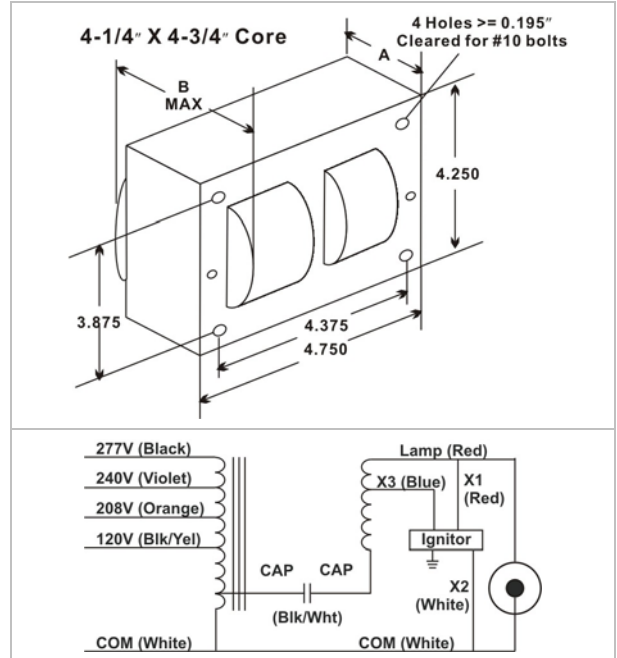




Catalog No.:	404-0350-04T
Ballast Type	Metal Halide
Lamp	350W M131
Circuit Type	Pulse Start CWA
Frequency	60 Hz
Status	Production
Replace	



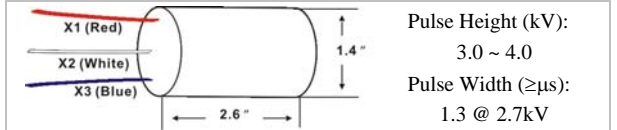
Input Voltage (V)		120	208	240	277
Line Current (A)	Operating	3.5	2.0	1.8	1.6
	Open Circuit	1.9	1.1	1.0	0.9
	Starting				
Recommended Fuse		12	6	6	5
Input Voltage At Lamp Dropout		70	120	140	160
UL Class H 180°C Temp. Code		A	A	A	A
UL Class N 200°C Temp. Code		A	A	A	A
Nom. Open Circuit Voltage		273			
Input Power (W)		400			
Efficiency (%)		88.6			
Power Factor (≥%)		90			
Regulation (±%)	Line Volts	5			
	Lamp Watts	10			
Min. Starting Temp		-20°F / -30°C			
Ballast Dimension (inches)	A	2.3			
	B	4.2			
Ballast Net Weight (lbs)		11			
Lead Length (inches)		12			
Capacitor	Capacitance (µF)	24			
	Min VAC Rating (V)	400			
Requires Ignitor Model		MHR1			
Coil Material (Pri. / Sec.)		Cu / Al			



60 Hz. Test Procedures

Short Circuit Current (A)	Secondary	Min	2.8			
		Max	4.2			
	Input	Min	1.5	0.9	0.8	0.7
		Max	2.5	1.5	1.3	1.1
Open Circuit Voltage (V)	Min	350				
	Max	390				
High Potential Test (V)	1 Minute	2,000				
	1 Second	1,900				

Ignitor: MHR1



Ref. Lamp Data

	Test Range	ANSI Standard
Starting Current (A)		2.8 ~ 4.2
CCF	1.7	≤ 1.8
OCV (V)	350 ~ 390	≥ 254
Off Time (ms.)	2.0	≤ 2.3
Peak Current (A)	6.0	≤ 8.0
Overshoot (mm)	28	≤ 90
VSS (V)	275	≥ 270

Ordering Information (Add suffix for options)

-WB	With welded bracket
-I	With ignitor
-DC	With dry film capacitor
-OC	With oil filled capacitor
-K	With distributor replacement kit (includes bracket, capacitor and ignitor as necessary.)

Capacitor: Contact Jefferson Electric for additional capacitor options

Diameter	1.80"
Height	3.60"

Document No.: **404-0350-04T-09-04**
Date: **04/30/09**

Data is based upon tests performed in a controlled environment and represents relative performance. Actual performance may vary depending on lamp and operating conditions. Specifications are subject to change without notice