

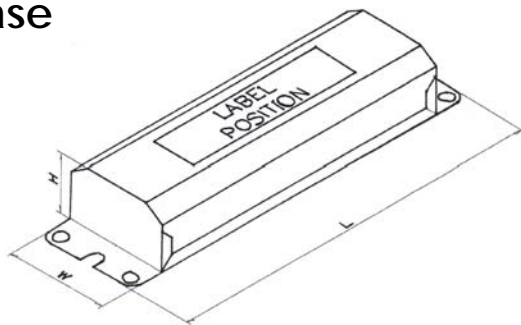


401-4320-UNV	
Brand Name	Jefferson Electric
Starting Type	Instant Start
Input Voltage	120-277
Input Frequency	50/60 HZ
Open Circuit Voltage	600 Volts

LAMP QTY	LAMP TYPE	RATED LAMP WATTS	VOLTS	INPUT CURRENT (AMPS)	INPUT POWER (WATTS)	POWER FACTOR	BALLAST FACTOR	B.E.F.	MAX THD %	MIN. START TEMP. °F
4	F32T8	32W	120	0.93	112	0.99	0.88	0.79	<10%	0° F
4	F32T8	32W	277	0.40	108	0.98	0.88	0.81	<10%	0° F
4	F25T8	25W	120	0.72	87	0.99	0.89	1.02	<10%	0° F
4	F25T8	25W	277	0.32	85	0.95	0.89	1.05	<10%	0° F
4	F17T8	17W	120	0.49	59	0.98	0.90	1.53	<10%	0° F
4	F17T8	17W	277	0.22	58	0.90	0.90	1.55	<10%	0° F
4	F25T12	25W	120	0.77	91	0.99	0.90	0.99	<10%	0° F
4	F25T12	25W	277	0.34	88	0.95	0.90	1.02	<10%	0° F
3	F32T8	32W	120	0.77	92	0.99	0.94	1.02	<10%	0° F
3	F32T8	32W	277	0.34	89	0.95	0.94	1.06	<10%	0° F
3	F40T8	40W	120	0.95	114	0.99	0.92	0.81	<10%	32° F
3	F40T8	40W	277	0.41	109	0.98	0.92	0.84	<10%	32° F

Standard Lead Lengths					Shipping Data	
Wires UL1452, 18AWG, Min. Rated 600V, 90°C					PIECES PER PALLET	GW PER PALLET
RED	BLUE	BLACK	WHITE	YELLOW		
31" x 2	31" x 2	25"	25"	46" x 2	1000	1250 Lb.

Case



Unit Size & Weight

CASE	LENGTH	WIDTH	HEIGHT	WEIGHT
G	9.50"	1.30"	1.00"	1.20 Lb.

Label

401-4320-UNV
Instant Start
Input: 120-277V
0.93/0.40A, 50/60HZ

For (4) or (3) F32T8 32W Lamp or
(4) or (3) F25T8 25W Lamp or
(4) or (3) F17T8 17W Lamp or
3 F40T8 40W Lamp

Made in China

For three lamp application, cap any blue lead and isolate to 600 volts. Ballast case must be grounded.

NO PCB'S, CLASS P
MEETS FCC 18 NON-CONSUMER
INHERENT THERMAL PROTECTION
HIGH PF (>0.98)
MIN STARTING TEMP: 0°F

TYPE 1 OUTDOOR
SOUND RATING **A**
THD: < 10%
O.C.V. = 600 V

WARNING: Install in accordance with National & Local Electrical Codes. Disconnect line voltage before installing or replacing ballast.