



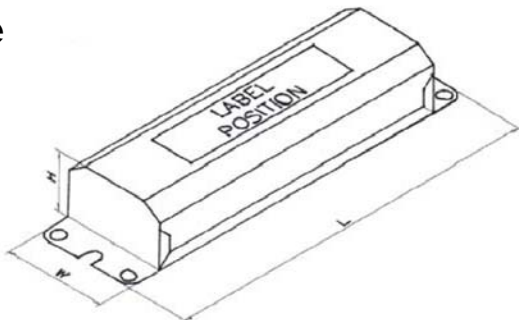
## 401-2540-UNV

Brand Name	Jefferson Electric
Starting Type	Program Rapid Start
Input Voltage	120-277V
Input Frequency	50/60 HZ
Open Circuit Voltage	300 Volts

LAMP QTY	LAMP TYPE	RATED LAMP WATTS	VOLTS	INPUT CURRENT (A)	INPUT POWER (W)	P.F. ≥	B.F.	B.E.F	THD ≤	C.F. <	MIN START TEMP.
2	*F54T5/HO	54	120	1.00	120	0.98	1.00	0.83	10%	1.7	0 °F
2	FC12T5HO	55	120	0.87	106	0.98	0.86	0.81	15%	1.7	0 °F
2	FT36	36	120	0.71	89	0.98	1.18	1.33	15%	1.7	0 °F
2	F55W/2G11	55	120	0.94	112	0.98	0.91	0.81	10%	1.7	0 °F
1	F54T5/HO	54	120	0.52	62	0.96	1.03	1.66	10%	1.7	0 °F
1	FC12T5HO	55	120	0.45	55	0.97	0.88	1.60	20%	1.7	0 °F
1	FT36	36	120	0.38	46	0.95	1.20	2.61	20%	1.7	0 °F
1	F55W/2G11	55	120	0.51	58	0.96	0.93	1.60	20%	1.7	0 °F
2	*F54T5/HO	54	277	0.43	117	0.98	1.00	0.85	10%	1.7	0 °F
2	FC12T5HO	55	277	0.37	103	0.99	0.86	0.83	15%	1.7	0 °F
2	FT36	36	277	0.31	87	0.98	1.18	1.36	15%	1.7	0 °F
2	F55W/2G11	55	277	0.40	109	0.98	0.91	0.83	10%	1.7	0 °F
1	F54T5/HO	54	277	0.23	62	0.96	1.03	1.66	10%	1.7	0 °F
1	FC12T5HO	55	277	0.20	55	0.97	0.88	1.60	20%	1.7	0 °F
1	FT36	36	277	0.18	46	0.95	1.20	2.61	20%	1.7	0 °F
1	F55W/2G11	55	277	0.22	58	0.96	0.93	1.60	20%	1.7	0 °F

	Standard Lead Lengths					Shipping Data	
	Wires UL1452, 18AWG, Min. Rated 600V, 90°C					PIECES PER PALLET	GW PER PALLET
	RED	BLUE	BLACK	WHITE	YELLOW		
OEM BULK	31" X 2	31" x 2	25"	25"	46" x 2	1000	1150 Lb.
DISTRIBUTOR	31" X 2	31" x 2	25"	25"	46" x 2	1200	1370 Lb.

### Case

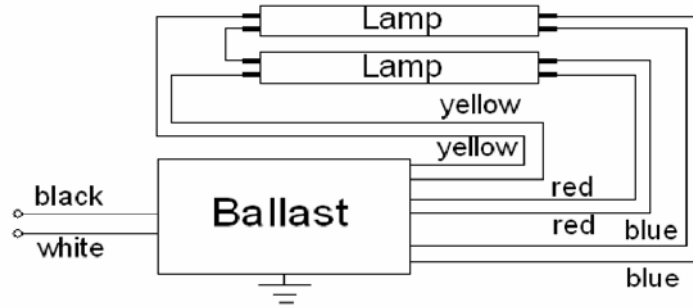


### Unit Size & Weight

CASE	LENGTH	WIDTH	HEIGHT	WEIGHT
M	9.50"	1.30"	1.00"	1.1 lbs.



## Wiring Diagram



Meets ANSI Standard C82.11-2005  
Meets ANSI Standard C62.41-2002  
Meets FCC Part 18 None Consumer Limits  
UL & cUL Listed Class P, Type CC

Maximum Ambient Temperature: 113 °F/55 °C  
Maximum Case Temperature: 194 °F/90 °C  
Remote Mounting: 18 foot maximum, 18 AWG