



50 to 1000 VA

Contents

Overview	10.2
Dimensional Drawings	10.5
Wiring Diagrams	10.5
Mounting Plates	10.8
Fuse Kits and Terminal Covers	10.9
Selection Charts	
240/480, 230/460, 220/440 V - 120, 115, 110 V	10.3
575, 460, 230 V - 115, 95 V	10.3
240/480 V - 24 V	10.3
120/240 V - 24 V	10.3
460, 230, 208 V - 115 V	10.4
415, 400, 380 V - 110/220 V	10.4
380, 277, 208 V - 120 V	10.4
460, 230, 208, 200 V - 24, 115 V	10.4
380, 277, 208 V - 24, 120 V	10.4

Products

- *General Purpose: 50 VA through 1000 VA**

Applications

- *For control panels, conveyor systems, machine tooling equipment, commercial sewing machines, pumping system panels and commercial air conditioning applications*

Specifications

- *Encapsulated in a UL 94 flame retardant polyester compound*
- *Cores of high quality electrical steel*
- *50/60 Hz operation*
- *Machine wound copper coils*
- *Terminal jumpers for quick series/parallel connections*
- *130°C insulation system standard*
- *55°C temperature rise on 50 VA through 150 VA*
- *80°C temperature rise on 250 VA through 1000 VA*

Features, Functions, Benefits

- *Universal mounting plate for easy interchangeability with other brands*
- *Units with a single secondary come with a factory-installed midget fuse clip on the secondary*
- *Slotted mounting holes for quick and easy mounting*
- *Permanently affixed wiring diagram*

Standards

- *Built in accordance with ANSI, UL, EN and CSA standards*

***Options and Accessories**

- *Other sizes and voltages available*
- *Finger safe terminal covers available*
- *Field installed fuse kits available*

Industrial Control – UniCap™

Group A

50/60 Hz • Class B Insulation • 55°C Rise for 50 VA – 150 VA; 80°C Rise for 250 VA & Up

VA	Catalog Number	Fig.	Length A (in.)	Depth B (in.)	Height C (in.)	Mounting Center D	Mounting Center E	Mounting F	Mounting Slot GXH	Est. Ship Wgt. (lbs.)
240/480, 230/460, 220/440 V – 120, 115, 110 V										
50	636-1111-600	9	3.00	3.75	2.75	2.50	2.25	3.41	.22x.75	3.60
100	636-1131-600	9	3.00	4.50	2.75	2.50	2.63	3.50	.22x.50	5.15
150	636-1141-600	9	4.25	4.00	3.25	3.13/3.75	2.75	3.63	.22x.75	6.15
250	636-1161-600	9	4.50	4.50	3.85	3.13/3.75	3.00	4.00	.22x.75	9.50
350	636-1181-600	9	5.00	5.00	3.85	3.75/4.38	3.56	4.56	.22x.75	11.75
500	636-1191-600	9	5.25	5.00	4.50	3.75/4.38	4.00	5.00	.31x.75	14.75
750	636-1201-600	9	6.00	5.88	4.50	4.38/5.31	5.00	6.50	.31x1.13	21.95
1000	636-1211-600	9	6.00	6.88	4.50	4.38/5.31	5.50	7.00	.31x1.13	28.70

Group B

50/60 Hz • Class B Insulation • 55°C Rise for 50 VA – 150 VA; 80°C Rise for 250 VA & Up

VA	Catalog Number	Fig.	Length A (in.)	Depth B (in.)	Height C (in.)	Mounting Center D	Mounting Center E	Mounting F	Mounting Slot GXH	Est. Ship Wgt. (lbs.)
575, 460, 230 V – 115, 95 V										
50	636-1110-600	9	3.00	3.75	2.75	2.50	2.25	3.41	.22x.75	3.60
100	636-1130-600	9	3.00	4.50	2.75	2.50	2.63	3.50	.22x.50	5.15
150	636-1140-600	9	4.25	4.00	3.25	3.13/3.75	2.75	3.63	.22x.75	6.15
250	636-1160-600	9	4.50	4.75	3.85	3.13/3.75	3.00	4.00	.22x.75	9.50
350	636-1180-600	9	5.00	5.50	3.85	3.75/4.38	3.56	4.56	.22x.75	11.75
500	636-1190-600	9	5.25	5.00	4.50	3.75/4.38	4.00	5.00	.31x.75	14.75

Group C

50/60 Hz • Class B Insulation • 55°C Rise for 50 VA – 150 VA; 80°C Rise for 250 VA & Up

VA	Catalog Number	Fig.	Length A (in.)	Depth B (in.)	Height C (in.)	Mounting Center D	Mounting Center E	Mounting F	Mounting Slot GXH	Est. Ship Wgt. (lbs.)
240/480 V – 24 V										
50	636-1112-600	9	3.00	3.75	2.75	2.50	2.25	3.41	.22x.75	3.60
100	636-1132-600	9	3.00	4.50	2.75	2.50	2.63	3.50	.22x.50	5.15
150	636-1142-600	9	4.25	4.00	3.25	3.13/3.75	2.75	3.63	.22x.75	6.15
250	636-1162-600	9	4.50	4.50	3.85	3.13/3.75	3.00	4.00	.22x.75	9.50
350	636-1182-600	9	5.00	5.00	3.85	3.75/4.38	3.56	4.56	.22x.75	11.75
500	636-1192-600	9	5.25	5.00	4.50	3.75/4.38	4.00	5.00	.31x.75	14.75

Group D

50/60 Hz • Class B Insulation • 55°C Rise for 50 VA – 150 VA; 80°C Rise for 250 VA & Up

VA	Catalog Number	Fig.	Length A (in.)	Depth B (in.)	Height C (in.)	Mounting Center D	Mounting Center E	Mounting F	Mounting Slot GXH	Est. Ship Wgt. (lbs.)
120/240 V – 24 V										
50	636-1114-600	9	3.00	3.75	2.75	2.50	2.25	3.41	.22x.75	3.60
100	636-1134-600	9	3.00	4.50	2.75	2.50	2.63	3.50	.22x.50	5.15
150	636-1144-600	9	4.25	4.00	3.25	3.13/3.75	2.75	3.63	.22x.75	6.15
250	636-1164-600	9	4.50	4.50	3.85	3.13/3.75	3.00	4.00	.22x.75	9.50
350	636-1184-600	9	5.00	5.00	3.85	3.75/4.38	3.56	4.56	.22x.75	11.75
500	636-1194-600	9	5.25	5.00	4.50	3.75/4.38	4.00	5.00	.31x.75	14.75

Note: Housing dimensions subject to change without notice. Consult website or factory where dimensions are critical.



Group E

50/60 Hz • Class B Insulation • 55°C Rise for 50 VA – 150 VA; 80°C Rise for 250 VA & Up

VA	Catalog Number	Fig.	Length A (in.)	Depth B (in.)	Height C (in.)	Mounting Center D	Mounting Center E	Mounting F	Mounting Slot GXH	Est. Ship Wgt. (lbs.)
460, 230, 208 V—115 V										
50	636-1117-600	9	3.00	3.75	2.75	2.50	2.25	3.41	.22x.75	3.60
100	636-1137-600	9	3.00	4.50	2.75	2.50	2.63	3.50	.22x.50	5.15
150	636-1147-600	9	4.25	4.00	3.25	3.13/3.75	2.75	3.63	.22x.75	6.15
250	636-1167-600	9	4.50	4.75	3.85	3.13/3.75	3.00	4.00	.22x.75	9.50
350	636-1187-600	9	5.00	5.00	3.85	3.75/4.38	3.56	4.56	.22x.75	11.75
500	636-1197-600	9	5.25	5.00	4.50	3.75/4.38	4.00	5.00	.31x.75	14.75

Group F

50/60 Hz • Class B Insulation • 55°C Rise for 50 VA – 150 VA; 80°C Rise for 250 VA & Up

VA	Catalog Number	Fig.	Length A (in.)	Depth B (in.)	Height C (in.)	Mounting Center D	Mounting Center E	Mounting F	Mounting Slot GXH	Est. Ship Wgt. (lbs.)
415, 400, 380 V—110/220 V										
50	636-1118-600	9	3.00	3.75	2.75	2.50	2.25	3.41	.22x.75	3.60
100	636-1138-600	9	3.00	4.50	2.75	2.50	2.63	3.50	.22x.50	5.15
150	636-1148-600	9	4.25	4.13	3.25	3.13/3.75	2.75	3.75	.22x.75	6.15
250	636-1168-600	9	4.50	4.88	3.85	3.12/3.75	3.00	4.00	.22x.75	9.50
350	636-1188-600	9	4.88	5.38	3.85	3.75/4.38	3.56	4.56	.22x.75	11.75
500	636-1198-600	9	5.25	5.00	4.50	3.75/4.38	4.00	5.00	.22x.75	14.75

Group G

50/60 Hz • Class B Insulation • 55°C Rise for 50 VA – 150 VA; 80°C Rise for 250 VA & Up

VA	Catalog Number	Fig.	Length A (in.)	Depth B (in.)	Height C (in.)	Mounting Center D	Mounting Center E	Mounting F	Mounting Slot GXH	Est. Ship Wgt. (lbs.)
380, 277, 208 V—120 V										
50	636-1115-600	9	3.00	3.75	2.75	2.50	2.25	3.41	.22x.75	3.60
100	636-1135-600	9	3.00	4.00	2.75	2.50	2.63	3.50	.22x.50	5.15
150	636-1145-600	9	4.25	4.50	3.25	3.13/3.75	2.75	3.63	.22x.75	6.15
250	636-1165-600	9	4.50	4.00	3.85	3.13/3.75	3.00	4.00	.22x.75	9.50
350	636-1185-600	9	5.00	4.75	3.85	3.75/4.38	3.56	4.56	.22x.75	11.75
500	636-1195-600	9	5.25	5.00	4.50	3.75/4.38	4.00	5.00	.31x.75	14.75

Group H

50/60 Hz • Class B Insulation • 55°C Rise for 50 VA – 150 VA; 80°C Rise for 250 VA & Up

VA	Catalog Number	Fig.	Length A (in.)	Depth B (in.)	Height C (in.)	Mounting Center D	Mounting Center E	Mounting F	Mounting Slot GXH	Est. Ship Wgt. (lbs.)
460, 230, 208, 200 V—24, 115 V										
50	636-1119-600	9	3.00	3.50	2.75	2.50	2.25	3.41	.22x.75	4.35
100	636-1139-600	9	3.75	4.13	3.25	3.12	2.75	3.50	.22x.56	5.61
150	636-1149-600	9	4.50	4.38	3.85	3.12/3.75	2.63	3.63	.22x.75	6.15
250	636-1169-600	9	4.50	5.38	3.85	3.12/3.75	3.00	4.00	.22x.75	9.40
350	636-1189-600	9	4.88	5.88	3.85	3.75/4.38	3.56	4.56	.22x.75	11.75
500	636-1199-600	9	5.50	5.00	4.50	3.75/4.38	4.00	5.00	.22x.75	14.75

Group I

50/60 Hz • Class B Insulation • 55°C Rise for 50 VA – 150 VA; 80°C Rise for 250 VA & Up

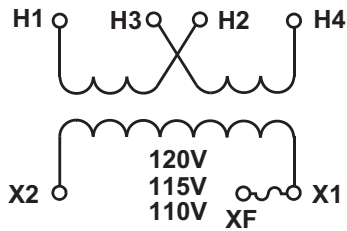
VA	Catalog Number	Fig.	Length A (in.)	Depth B (in.)	Height C (in.)	Mounting Center D	Mounting Center E	Mounting F	Mounting Slot GXH	Est. Ship Wgt. (lbs.)
380, 277, 208 V—24, 120 V										
50	636-1113-600	9	3.00	4.00	2.75	2.50	2.25	3.41	.22x.75	4.35
100	636-1133-600	9	3.75	4.13	3.25	3.12	2.75	3.50	.22x.56	5.61
150	636-1143-600	9	4.50	4.38	3.85	3.12/3.75	2.63	3.63	.22x.75	6.15
250	636-1163-600	9	4.50	5.38	3.85	3.12/3.75	3.00	4.00	.22x.75	9.40
350	636-1183-600	9	4.88	5.88	3.85	3.75/4.38	3.56	4.56	.22x.75	11.75
500	636-1193-600	9	5.50	5.00	4.50	3.75/4.38	4.00	5.00	.22x.75	14.75

Note: Housing dimensions subject to change without notice. Consult website or factory where dimensions are critical.

Industrial Control – UniCap™

Group A Wiring Diagram & Connections

Wiring Diagram

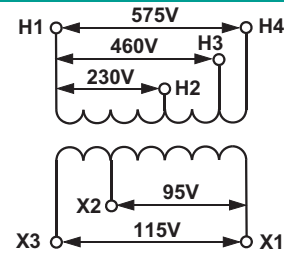


Connections

Primary Volts	Interconnect	Primary Lines Connect To
240	H1-H3, H2-H4	H1, H4
230	H1-H3, H2-H4	H1, H4
220	H1-H3, H2-H4	H1, H4
480	H3-H2	H1, H4
460	H3-H2	H1, H4
440	H3-H2	H1, H4
Sec. Volts	Secondary Lines Connect To	
120	X2, XF	
115	X2, XF	
110	X2, XF	

Group B Wiring Diagram & Connections

Wiring Diagram

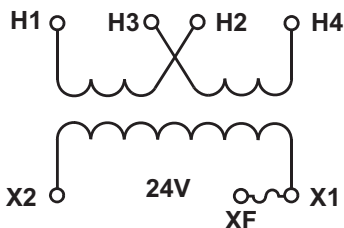


Connections

Primary Volts	Primary Lines Connect To	
575	H1, H4	
460	H1, H3	
230	H1, H2	
Sec. Volts	Secondary Lines Connect To	
115	X1, X3	
95	X1, X2	

Group C Wiring Diagram & Connections

Wiring Diagram

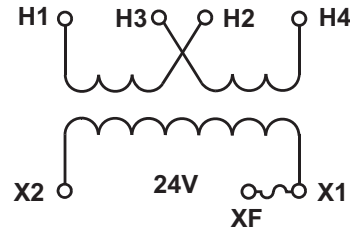


Connections

Primary Volts	Interconnect	Primary Lines Connect To
480	H2-H3	H1, H4
240	H1-H3, H2-H4	H1, H4
Sec. Volts	Secondary Lines Connect To	
24	X2, XF	

Group D Wiring Diagram & Connections

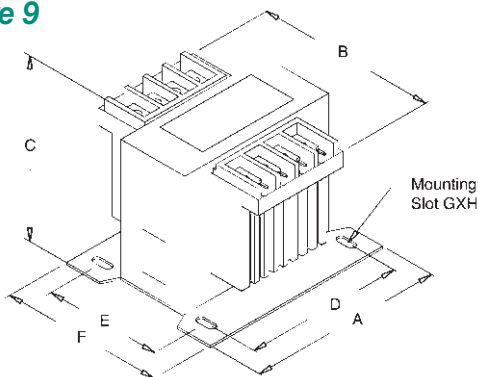
Wiring Diagram



Connections

Primary Volts	Interconnect	Primary Lines Connect To
240	H2-H3	H1, H4
120	H1-H3, H2-H4	H1, H4
Sec. Volts	Secondary Lines Connect To	
24	X2, XF	

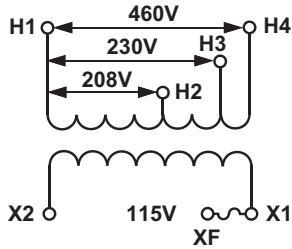
Figure 9



NOTE: Electrostatic shields are optionally available and not shown in all wiring diagrams.

Group E Wiring Diagram & Connections

Wiring Diagram

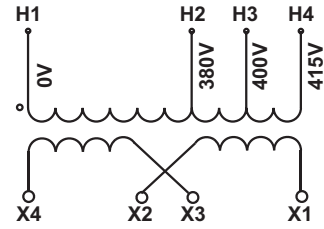


Connections

Primary Volts	Primary Lines Connect To
460	H1, H4
230	H1, H3
208	H1, H2
Sec. Volts	Secondary Lines Connect To
115	X2, XF

Group F Wiring Diagram & Connections

Wiring Diagram

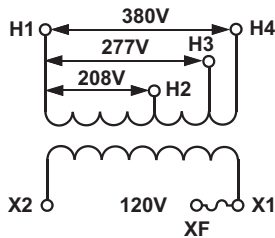


Connections

Primary Volts	Primary Lines Connect To	
415	H1, H4	
400	H1, H3	
380	H1, H2	
Sec. Volts	Interconnect	Secondary Lines Connect To
110	X1-X3, X2-X4	X1, X4
220	X2-X3	X1, X4

Group G Wiring Diagram & Connections

Wiring Diagram

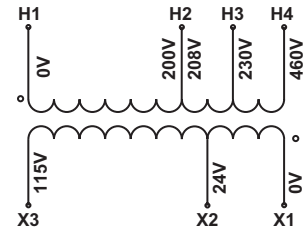


Connections

Primary Volts	Primary Lines Connect To
380	H1, H4
277	H1, H3
208	H1, H2
Sec. Volts	Secondary Lines Connect To
120	X2, XF

Group H Wiring Diagram & Connections

Wiring Diagram



Connections

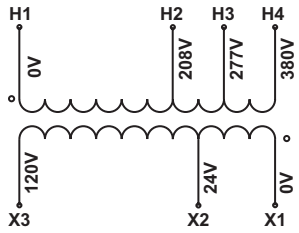
Primary Volts	Primary Lines Connect To
460	H1, H4
230	H1, H3
208	H1, H2
200	H1, H2
Sec. Volts	Secondary Lines Connect To
115	X1, X3
24	X1, X2

NOTE: Electrostatic shields are optionally available and not shown in all wiring diagrams.

Industrial Control – UniCap™

Group I Wiring Diagram & Connections

Wiring Diagram



Connections

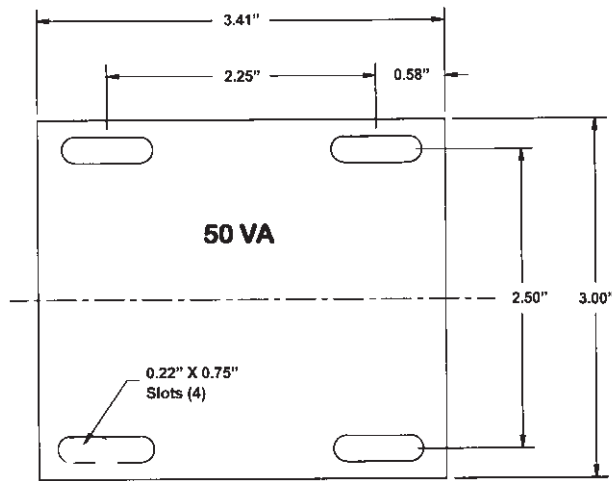
Primary Volts	Primary Lines Connect To
380	H1, H4
277	H1, H3
208	H1, H2
Sec. Volts	Secondary Lines Connect To
120	X1, X3
24	X1, X2

Version JE901 0612 Date Dec 06

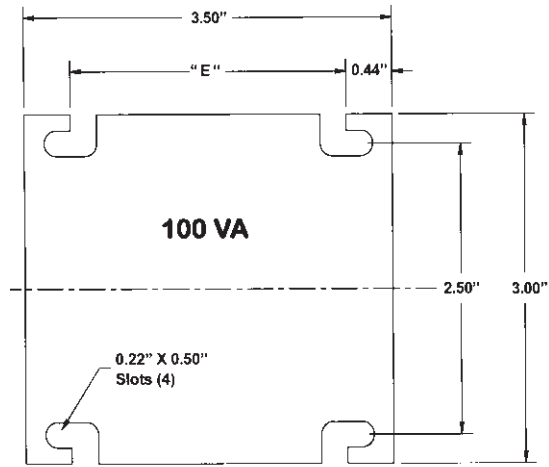
NOTE: Electrostatic shields are optionally available and not shown in all wiring diagrams.

Mounting Plate Dimensions

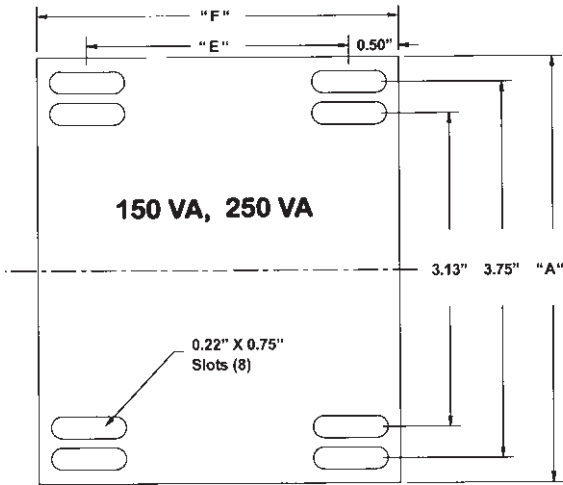
50 VA



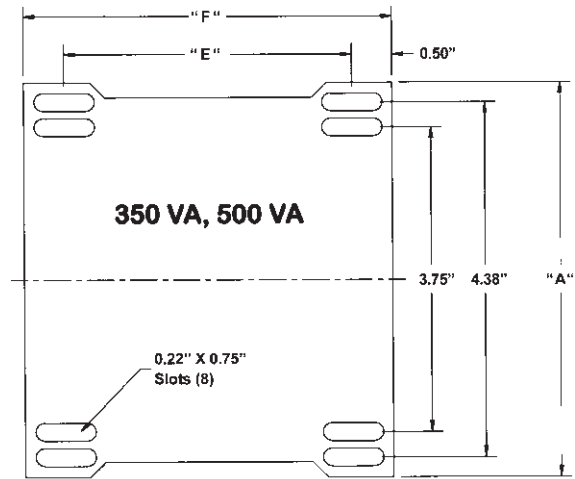
100 VA



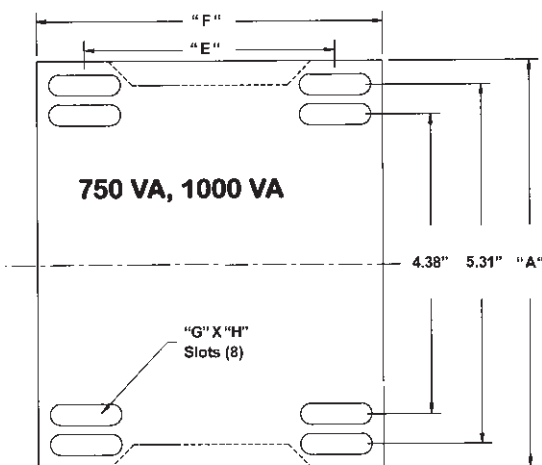
150 & 250 VA



350 & 500 VA



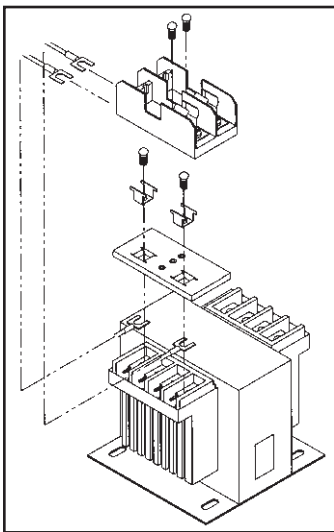
750 & 1000 VA



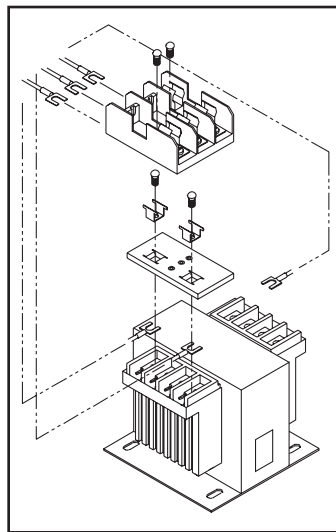
Primary Fuse Kits for Field Installation

- All primary fuse kits include a fuse block, lead wire harness, mounting plate and clips, and all necessary mounting hardware to make installation fast and easy.
- Use a double pole fuse block for line-to-line voltages for transformers up to 1000 VA.
- Use either the safety-rejection type or the standard midget style fuse by selecting the appropriate fuse kit below.
- Install the fuse clips into the terminal block with the mounting hardware (included). Fuses easily snap into place. (Fuses are not included.)

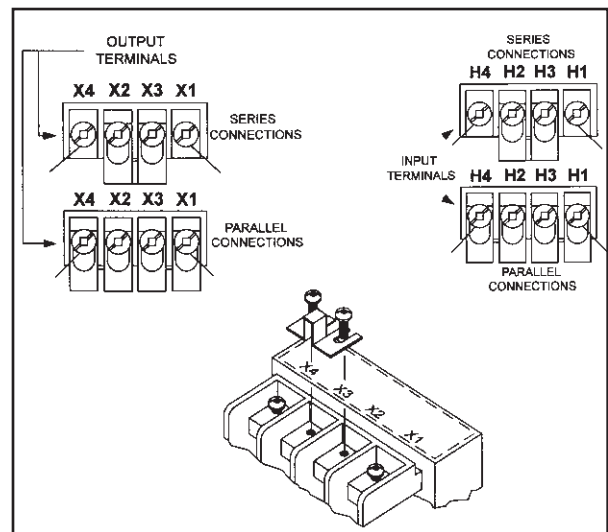
Double Pole Fuse Kit



Triple Pole Fuse Kit



Voltage Links



Links are included at no charge and are packaged separately for custom field installation.

Fusing Options—Field Installation

- All Jefferson UniCap IC transformers installed with terminal covers comply with IEC requirements for finger safe devices. The units can be sized to meet both North American and IEC standards.
- All UniCap IC transformers with a single secondary come with 13/32" x 1-1/2" midget fuse clips on the secondary.
- Fusing options are available on UniCap IC transformers up to 1000 VA on field installed fuse kits.

Catalog No.†	Primary (block mounted)	Secondary (clip mounted)	Maximum Applicable VA Secondary Voltage		
			12V	24V	120V & Up
636-0008-003	Dual Rejection	13/32" x 1-1/2"	250	500	1000
636-0008-004	Dual Midget	13/32" x 1-1/2"	250	500	1000
636-0008-005	Dual Rejection/ Single Midget	Not included	1000	1000	1000

†Secondary fuse clip for 13/32" x 1-1/2" midget fuse is standard on all single secondary voltages.

Field Installed Fuse Kits

Additional Height Dimensions

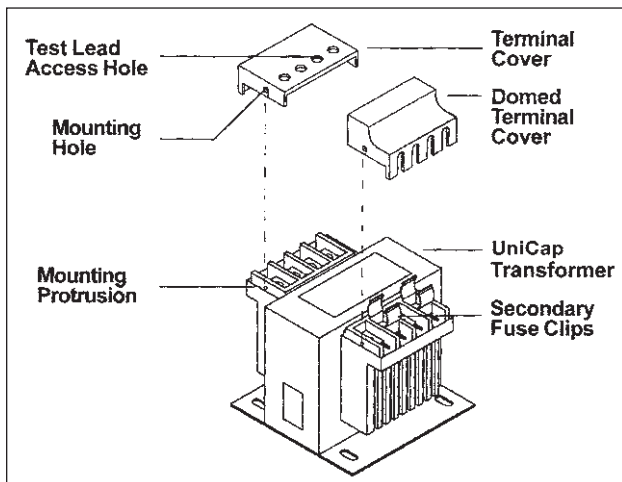
VA	Height of "C"	Plus Field Installed Kit	VA	Height of "C"	Plus Field Installed Kit
50	2.75"	1.50"	350	3.85"	1.50"
100	2.75"	1.33"	500	4.50"	1.50"
150	3.25"	1.33"	750	4.50"	1.50"
250	3.85"	1.45"	1000	5.07"	1.50"

Optional Finger Safe Terminal Covers

- Select the right style for your application.
- Clear design for maximum visibility of fuse and terminal connections.
- One piece molded polyester (Lexan) design to minimize chipping and breakage.

Catalog Number	Minimum Order	Description	Application
636-0008-001	10 pieces per pkg.	Domed terminal cover	for fused secondary
636-0008-002	10 pieces per pkg.	Flat terminal cover	for unfused primary and/or secondary

Domed terminal cover assembly



Flat terminal cover assembly

