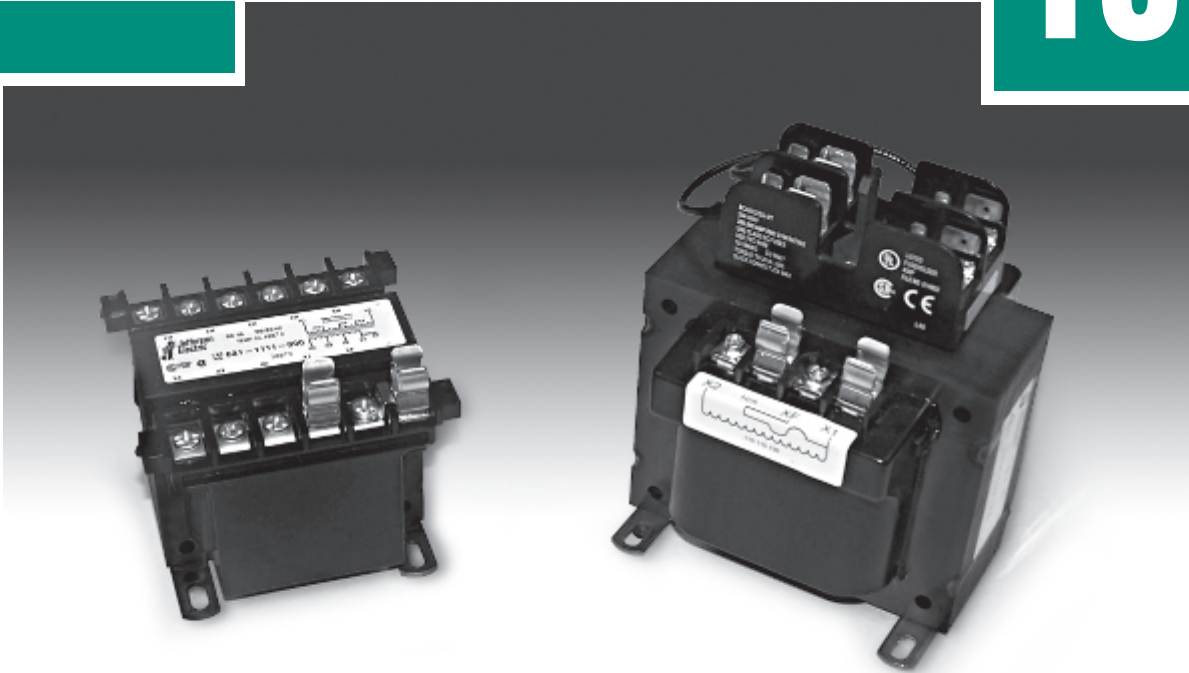


10



50 to 5000 VA

Contents

Overview	10.2
Dimensional Drawings	10.11
Wiring Diagrams	10.7
Fuse kits and Terminal covers	10.7

Selection Charts

Group	Primary Voltages	Secondary Voltages	
AA	220/230/240 x 440/460/480	110/115/120	10.3
BB	240 x 480	24	10.3
CC	120 x 240	24	10.3
EE	550/575/600	110/115/120	10.4
FF	208 x 277	120	10.4
GG	208 x 230 x 460	115	10.4
HH	230 x 460 x 575	95 x 115	10.5
II	380 x 400 x 415	110 x 220	10.5
JJ	200/208 x 220/230/240 x 440/460/480	23/24/25, 110/115/120	10.5
KK	240 x 480	120 x 240	10.6
LL	208/220/230/240 x 380/400/416 x 440/460/480 x 500/550/575/600	110/120/125/130, 100/110/115/120, 85/91/95/99	10.6
MM	220/230/240 x 440/460/480	110/115/120 x 220/230/240	10.6
NN	240 x 347 x 380	120 x 240	10.7

Version JE901.0411

Products

- *General purpose; 50 VA to 5000 VA*

Applications

- *For commercial and industrial control applications including; control panels, conveyor systems, machine tool equipment, pump systems, and commercial air conditioning applications*

Specifications

- *Encapsulated*
- *Cores of high-grade silicon steel*
- *50/60 Hz operation*
- *Machine wound copper coils*
- *Phil-Slot-Hex head terminal screws*
- *For 50 VA to 100 VA – Insulation Class of 105°C and Temp Rise of 55°C*
- *For 150 VA to 1000 VA – Insulation Class of 130°C and Temp Rise of 80°C*
- *For 1500 VA to 5000 VA – Insulation Class of 180°C and Temp Rise of 115°C*

Features and Benefits

- *Slotted mounting holes for quick and easy mounting*
- *Permanently affixed wiring diagram for quick reference*
- *Secondary fuse clips standard on units with a single secondary voltage (-000 units)*
- *Terminal jumpers for quick series/parallel connections*

Standards

- *Built in accordance with ANSI, UL, and cUL standards*
- *UL and cUL Listed*
- *Models with CE Marking are available*

Options and Accessories

- *Other sizes and voltages are available*
- *Optional primary fuse clips available*
- *Finger safe terminal covers available*
- *Finger safe fuse covers available*
- *The optional primary fuse block is for a 13/32 x 1-1/2 class cc rejection fuse. The primary fuse should always be time delay, slow blow properly sized for the application.*
- *The standard secondary fuse clip is for a 13/32 x 1-1/2 midget fuse. The secondary fuse style is a matter of customer preference usually either time delay or fast acting.*

Industrial Control

Group AA

VA	Catalog Number	Fig	Dimensions*					Est. Ship Weight	Temp Rise	Insulation Temp.	Secondary Fuse Clip	Terminal Cover	Fuse Block
			A	B	C	D	E						
220/230/240 x 440/460/480 - 110/115/120													
50	631-1101-000	14	3.78	3.00	2.73	1.96	2.5	2.8	55	105	Included	631-0000-004	631-0000-001
75	631-1201-000	14	4.03	3.00	2.73	2.42	2.5	3.5	55	105	Included	631-0000-004	631-0000-001
100	631-1301-000	14	4.03	3.38	3.04	2.42	2.81	4.3	55	105	Included	631-0000-004	631-0000-001
150	631-1401-000	14	4.03	3.75	3.35	2.82	3.13	5.6	80	130	Included	631-0000-004	631-0000-001
200	631-1501-000	14	4.37	4.50	3.98	2.62	3.75	7.7	80	130	Included	631-0000-004	631-0000-001
250	631-1601-000	14	4.37	4.50	3.98	2.82	3.75	8.3	80	130	Included	631-0000-004	631-0000-001
300	631-1701-000	14	4.74	4.50	3.98	3.19	3.75	9.7	80	130	Included	631-0000-004	631-0000-001
350	631-1801-000	14	4.74	4.50	3.98	3.74	3.75	10.4	80	130	Included	631-0000-004	631-0000-001
500	631-1901-000	14	6.11	5.25	4.64	3.87	4.38	14.5	80	130	Included	631-0000-006	631-0000-001
750	631-2001-000	14	7.61	5.25	4.64	5.37	4.38	27.6	80	130	Included	631-0000-006	631-0000-001
1000	631-2101-000	14	7.11	6.75	5.88	4.97	6.13	32.3	80	130	Included	631-0000-006	631-0000-001
1500	631-2201-000	14	8.11	6.75	5.88	6.12	6.13	50.1	115	180	Included	631-0000-006	631-0000-001
2000	631-2301-000	15	7.75	6.75	5.75	5	6.13	46.0	115	180	Included	631-0000-006	631-0000-001
3000	631-2401-001	15	8.00	9.00	7.5	5.25	7.5	69.8	115	180	NA	631-0000-006	NA
5000	631-2601-001	15	10.0	9.00	7.5	7.19	7.5	109.9	115	180		631-0000-006	

Group BB

VA	Catalog Number	Fig	Dimensions*					Est. Ship Weight	Temp Rise	Insulation Temp.	Secondary Fuse Clip	Terminal Cover	Fuse Block
			A	B	C	D	E						
240 x 480 - 24													
50	631-1102-000	14	3.78	3.00	2.73	1.96	2.50	2.8	55	105	Included	631-0000-004	631-0000-001
75	631-1202-000	14	4.03	3.00	2.73	2.42	2.50	3.5	55	105	Included	631-0000-004	631-0000-001
100	631-1302-000	14	4.03	3.38	3.04	2.42	2.81	4.3	55	105	Included	631-0000-004	631-0000-001
150	631-1402-000	14	4.03	3.75	3.35	2.82	3.13	5.6	80	130	Included	631-0000-004	631-0000-001
200	631-1502-000	14	4.37	4.50	3.98	2.62	3.75	7.7	80	130	Included	631-0000-004	631-0000-001
250	631-1602-000	14	4.37	4.50	3.98	2.82	3.75	8.3	80	130	Included	631-0000-004	631-0000-001
300	631-1702-000	14	4.74	4.50	3.98	3.19	3.75	9.7	80	130	Included	631-0000-004	631-0000-001
350	631-1802-000	14	4.74	4.50	3.98	3.74	3.75	10.4	80	130	Included	631-0000-004	631-0000-001
500	631-1902-000	14	6.11	5.25	4.64	3.87	4.38	14.5	80	130	Included	631-0000-006	631-0000-001
750	631-2002-001	14	7.61	5.25	4.64	5.37	4.38	27.6	80	130	NA	631-0000-006	631-0000-001

Group CC

VA	Catalog Number	Fig	Dimensions*					Est. Ship Weight	Temp Rise	Insulation Temp.	Secondary Fuse Clip	Terminal Cover	Fuse Block
			A	B	C	D	E						
120 x 240 - 24													
50	631-1103-000	14	3.78	3.00	2.73	1.96	2.50	2.8	55	105	Included	631-0000-004	631-0000-001
75	631-1203-000	14	4.03	3.00	2.73	2.42	2.50	3.5	55	105	Included	631-0000-004	631-0000-001
100	631-1303-000	14	4.03	3.38	3.04	2.42	2.81	4.3	55	105	Included	631-0000-004	631-0000-001
150	631-1403-000	14	4.03	3.75	3.35	2.82	3.13	5.6	80	130	Included	631-0000-004	631-0000-001
200	631-1503-000	14	4.37	4.50	3.98	2.62	3.75	7.7	80	130	Included	631-0000-004	631-0000-001
250	631-1603-000	14	4.37	4.50	3.98	2.82	3.75	8.3	80	130	Included	631-0000-004	631-0000-001
300	631-1703-000	14	4.74	4.50	3.98	3.19	3.75	9.7	80	130	Included	631-0000-004	631-0000-001
350	631-1803-000	14	4.74	4.50	3.98	3.74	3.75	10.4	80	130	Included	631-0000-004	631-0000-001
500	631-1903-000	14	6.11	5.25	4.64	3.87	4.38	14.5	80	130	Included	631-0000-006	631-0000-001
750	631-2003-001	14	7.61	5.25	4.64	5.37	4.38	27.6	80	130	NA	631-0000-006	631-0000-001

Note: Housing dimensions subject to change without notice. Consult website or factory where dimensions are critical.

* Secondary fuse clips add 0.5" to C dimension.



Group EE

VA	Catalog Number	Fig	Dimensions*					Est. Ship Weight	Temp Rise	Insulation Temp.	Secondary Fuse Clip	Terminal Cover	Fuse Block
			A	B	C	D	E						
550/575/600 - 110/115/120													
50	631-1104-000	14	3.78	3.00	2.73	1.96	2.50	2.8	55	105	Included	631-0000-004	631-0000-001
75	631-1204-000	14	4.03	3.00	2.73	2.42	2.50	3.5	55	105	Included	631-0000-004	631-0000-001
100	631-1304-000	14	4.03	3.38	3.04	2.42	2.81	4.3	55	105	Included	631-0000-004	631-0000-001
150	631-1404-000	14	4.03	3.75	3.35	2.82	3.13	5.6	80	130	Included	631-0000-004	631-0000-001
200	631-1504-000	14	4.37	4.50	3.98	2.62	3.75	7.7	80	130	Included	631-0000-004	631-0000-001
250	631-1604-000	14	4.37	4.50	3.98	2.82	3.75	8.3	80	130	Included	631-0000-004	631-0000-001
300	631-1704-000	14	4.74	4.50	3.98	3.19	3.75	9.7	80	130	Included	631-0000-004	631-0000-001
350	631-1804-000	14	4.74	4.50	3.98	3.74	3.75	10.4	80	130	Included	631-0000-004	631-0000-001
500	631-1904-000	14	6.11	5.25	4.64	3.87	4.38	14.5	80	130	Included	631-0000-006	631-0000-001
750	631-2004-000	14	7.61	5.25	4.64	5.37	4.38	27.6	80	130	Included	631-0000-006	631-0000-001

Group FF

VA	Catalog Number	Fig	Dimensions*					Est. Ship Weight	Temp Rise	Insulation Temp.	Secondary Fuse Clip	Terminal Cover	Fuse Block
			A	B	C	D	E						
208 x 277 - 120													
50	631-1105-000	14	3.78	3.00	2.73	1.96	2.50	2.8	55	105	Included	631-0000-004	631-0000-001
75	631-1205-000	14	4.03	3.00	2.73	2.42	2.50	3.5	55	105	Included	631-0000-004	631-0000-001
100	631-1305-000	14	4.03	3.38	3.04	2.42	2.81	4.3	55	105	Included	631-0000-004	631-0000-001
150	631-1405-000	14	4.03	3.75	3.35	2.82	3.13	5.6	80	130	Included	631-0000-004	631-0000-001
200	631-1505-000	14	4.37	4.50	3.98	2.62	3.75	7.7	80	130	Included	631-0000-004	631-0000-001
250	631-1605-000	14	4.37	4.50	3.98	2.82	3.75	8.3	80	130	Included	631-0000-004	631-0000-001
300	631-1705-000	14	4.74	4.50	3.98	3.19	3.75	9.7	80	130	Included	631-0000-004	631-0000-001
350	631-1805-000	14	4.74	4.50	3.98	3.74	3.75	10.4	80	130	Included	631-0000-004	631-0000-001
500	631-1905-000	14	6.11	5.25	4.64	3.87	4.38	14.5	80	130	Included	631-0000-006	631-0000-001
750	631-2005-000	14	7.61	5.25	4.64	5.37	4.38	27.6	80	130	Included	631-0000-006	631-0000-001

Group GG

VA	Catalog Number	Fig	Dimensions*					Est. Ship Weight	Temp Rise	Insulation Temp.	Secondary Fuse Clip	Terminal Cover	Fuse Block
			A	B	C	D	E						
208 x 230 x 460 - 115													
50	631-1106-000	14	3.77	3.00	2.73	2.21	2.50	2.8	55	105	Included	631-0000-004	631-0000-001
75	631-1206-000	14	4.02	3.38	3.04	2.42	2.81	3.5	55	105	Included	631-0000-004	631-0000-001
100	631-1306-000	14	4.02	3.38	3.04	2.62	2.81	4.3	55	105	Included	631-0000-004	631-0000-001
150	631-1406-000	14	4.02	3.75	3.35	2.81	3.13	5.6	80	130	Included	631-0000-004	631-0000-001
200	631-1506-000	14	4.36	4.50	3.98	2.81	3.75	7.7	80	130	Included	631-0000-004	631-0000-001
250	631-1606-000	14	4.36	4.50	3.98	3.19	3.75	8.3	80	130	Included	631-0000-004	631-0000-001
300	631-1706-000	14	4.74	4.50	3.98	3.19	3.75	9.7	80	130	Included	631-0000-004	631-0000-001
350	631-1806-000	14	5.75	4.50	3.98	4.72	3.75	10.4	80	130	Included	631-0000-004	631-0000-001
500	631-1906-000	14	6.11	5.25	4.64	4.38	4.38	14.5	80	130	Included	631-0000-006	631-0000-001
750	631-2006-000	14	7.61	5.25	4.64	5.87	4.38	27.6	80	130	Included	631-0000-006	631-0000-001
1000	631-2106-000	14	7.11	6.75	5.88	4.97	6.13	32.3	80	130	Included	631-0000-006	631-0000-001
1500	631-2206-000	15	7.38	6.75	5.75	4.25	6.13	40.7	115	180	Included	631-0000-006	631-0000-001
2000	631-2306-000	15	8.13	6.75	5.75	5.25	6.13	51.7	115	180	Included	631-0000-006	631-0000-001
3000	631-2406-001	15	8.56	9.00	7.50	5.75	7.50	77.1	115	180	NA	631-0000-006	NA
5000	631-2606-001	15	10.38	9.00	7.50	7.56	7.50	117.2	115	180		631-0000-006	

Note: Housing dimensions subject to change without notice. Consult website or factory where dimensions are critical.

* Secondary fuse clips add 0.5" to C dimension.



Industrial Control

Group HH

VA	Catalog Number	Fig	Dimensions*					Est. Ship Weight	Temp Rise	Insulation Temp.	Secondary Fuse Clip	Terminal Cover	Fuse Block
			A	B	C	D	E						
230 x 460 x 575 - 95, 115													
1000	631-2107-000	15	7.00	6.38	5.44	5.06	5.31	31.8	115	180	Included	631-0000-006	631-0000-001
1500	631-2207-000	15	7.75	6.75	5.75	5.25	6.13	44.3	115	180	Included	631-0000-006	631-0000-001
2000	631-2307-000	15	7.63	9.00	7.50	4.81	7.50	57.4	115	180	Included	631-0000-006	631-0000-001
3000	631-2407-001	15	8.75	9.00	7.50	5.94	7.50	83.6	115	180	NA	631-0000-006	NA
5000	631-2607-001	15	11.0	9.00	7.50	8.19	7.50	129.5	115	180		631-0000-006	

Group II

VA	Catalog Number	Fig	Dimensions*					Est. Ship Weight	Temp Rise	Insulation Temp.	Secondary Fuse Clip	Terminal Cover	Fuse Block
			A	B	C	D	E						
380 x 400 x 415 - 110 x 220													
50	631-1108-001	14	3.78	3.00	2.73	1.96	2.50	2.8	55	105	NA	631-0000-004	631-0000-001
75	631-1208-001	14	4.03	3.00	2.73	2.42	2.50	3.5	55	105		631-0000-004	631-0000-001
100	631-1308-001	14	4.03	3.38	3.04	2.42	2.81	4.3	55	105		631-0000-004	631-0000-001
150	631-1408-001	14	4.03	3.75	3.35	2.82	3.13	5.6	80	130		631-0000-004	631-0000-001
200	631-1508-001	14	4.37	4.50	3.98	2.62	3.75	7.7	80	130		631-0000-004	631-0000-001
250	631-1608-001	14	4.37	4.50	3.98	2.82	3.75	8.3	80	130		631-0000-004	631-0000-001
300	631-1708-001	14	4.74	4.50	3.98	3.19	3.75	9.7	80	130		631-0000-004	631-0000-001
350	631-1808-001	14	4.74	4.50	3.98	3.74	3.75	10.4	80	130		631-0000-004	631-0000-001
500	631-1908-001	14	6.11	5.25	4.64	3.87	4.38	14.5	80	130		631-0000-006	631-0000-001
750	631-2008-001	14	7.61	5.25	4.64	5.37	4.38	27.6	80	130		631-0000-006	631-0000-001

Group JJ

VA	Catalog Number	Fig	Dimensions*					Est. Ship Weight	Temp Rise	Insulation Temp.	Secondary Fuse Clip	Terminal Cover	Fuse Block
			A	B	C	D	E						
200/208 x 220/230/240 x 440/460/480 - 23/24/25, 110/115/120													
50	631-1109-000	14	4.52	3.00	2.73	2.81	2.50	2.8	55	105	Included	631-0000-004	631-0000-001
75	631-1209-000	14	4.52	3.38	3.04	2.81	2.81	3.5	55	105	Included	631-0000-004	631-0000-001
100	631-1309-000	14	4.52	3.75	3.35	2.99	3.13	4.3	55	105	Included	631-0000-004	631-0000-001
150	631-1409-000	14	5.02	3.75	3.35	3.19	3.13	5.6	80	130	Included	631-0000-004	631-0000-001
200	631-1509-000	14	4.36	4.50	3.98	3.00	3.75	7.7	80	130	Included	631-0000-004	631-0000-001
250	631-1609-000	14	4.74	4.50	3.98	3.75	3.75	8.3	80	130	Included	631-0000-004	631-0000-001
300	631-1709-000	14	6.11	5.25	4.64	3.88	4.38	9.7	80	130	Included	631-0000-006	631-0000-001
350	631-1809-000	14	6.11	5.25	4.64	3.88	4.38	10.4	80	130	Included	631-0000-006	631-0000-001
500	631-1909-000	14	7.11	5.25	4.64	4.38	5.38	14.5	80	130	Included	631-0000-006	631-0000-001

Note: Housing dimensions subject to change without notice. Consult website or factory where dimensions are critical.

* Secondary fuse clips add 0.5" to C dimension.



Group KK

VA	Catalog Number	Fig	Dimensions*					Est. Ship Weight	Temp Rise	Insulation Temp.	Secondary Fuse Clip	Terminal Cover	Fuse Block
			A	B	C	D	E						
240 x 480 - 120 x 240													
50	631-1110-001	14	3.78	3.00	2.73	1.96	2.50	2.8	55	105	NA	631-0000-004	631-0000-001
75	631-1210-001	14	4.03	3.00	2.73	2.42	2.50	3.5	55	105		631-0000-004	631-0000-001
100	631-1310-001	14	4.03	3.38	3.04	2.42	2.81	4.3	55	105		631-0000-004	631-0000-001
150	631-1410-001	14	4.03	3.75	3.35	2.82	3.13	5.6	80	130		631-0000-004	631-0000-001
200	631-1510-001	14	4.37	4.50	3.98	2.62	3.75	7.7	80	130		631-0000-004	631-0000-001
250	631-1610-001	14	4.37	4.50	3.98	2.82	3.75	8.3	80	130		631-0000-004	631-0000-001
300	631-1710-001	14	4.74	4.50	3.98	3.19	3.75	9.7	80	130		631-0000-004	631-0000-001
350	631-1810-001	14	4.74	4.50	3.98	3.74	3.75	10.4	80	130		631-0000-004	631-0000-001
500	631-1910-001	14	6.11	5.25	4.64	3.87	4.38	14.5	80	130		631-0000-006	631-0000-001
750	631-2010-001	14	7.61	5.25	4.64	5.37	4.38	27.6	80	130		631-0000-006	631-0000-001

Group LL

VA	Catalog Number	Fig	Dimensions*					Est. Ship Weight	Temp Rise	Insulation Temp.	Secondary Fuse Clip	Terminal Cover	Fuse Block
			A	B	C	D	E						
200 to 600 - 85 to 130													
50	631-1111-000	15	3.43	3.88	2.93	2.41	2.81	3.7	55	105	Included	631-0000-006	631-0000-001
100	631-1311-000	15	4.00	3.75	3.25	3.00	3.19	6.5	55	105	Included	631-0000-006	631-0000-001
150	631-1411-000	15	4.00	4.50	3.88	2.81	3.75	7.4	80	130	Included	631-0000-006	631-0000-001
250	631-1611-000	15	5.75	4.50	3.88	4.75	3.75	10.0	80	130	Included	631-0000-006	631-0000-001
350	631-1811-000	15	5.70	5.25	4.50	4.38	4.38	14.7	80	130	Included	631-0000-006	631-0000-001
500	631-1911-000	15	7.19	5.25	4.50	5.88	4.38	18.2	80	130	Included	631-0000-006	631-0000-001
750	631-2011-000	15	6.50	6.75	5.75	4.25	6.13	30.7	80	130	Included	631-0000-006	631-0000-001

Group MM

VA	Catalog Number	Fig	Dimensions*					Est. Ship Weight	Temp Rise	Insulation Temp.	Secondary Fuse Clip	Terminal Cover	Fuse Block
			A	B	C	D	E						
220/230/240 x 440/460/480 - 110/115/120 x 220/230/240													
1000	631-2112-001	15	7.00	5.25	4.50	5.38	4.38	28.8	80	130	NA	631-0000-006	631-0000-001
1500	631-2212-001	15	7.00	6.75	5.75	4.25	6.13	37.0	115	180		631-0000-006	631-0000-001
2000	631-2312-001	15	7.75	6.75	5.75	5.00	6.13	46.0	115	180		631-0000-006	631-0000-001
3000	631-2412-001	15	8.06	9.00	7.50	5.25	7.50	69.8	115	180		631-0000-006	NA
5000	631-2612-001	15	10.0	9.00	7.50	7.19	7.50	109.9	115	180		631-0000-006	

Note: Housing dimensions subject to change without notice. Consult website or factory where dimensions are critical.

* Secondary fuse clips add 0.5" to C dimension.



Industrial Control

Group NN

VA	Catalog Number	Fig	Dimensions*					Est. Ship Weight	Temp Rise	Insulation Temp.	Secondary Fuse Clip	Terminal Cover	Fuse Block
			A	B	C	D	E						
240 x 347 x 380 - 120 x 240													
1000	631-2113-001	15	7.38	6.38	5.44	5.06	5.31	37.6	80	130	NA	631-0000-006	631-0000-001
1500	631-2213-001	15	8.13	6.38	5.44	5.06	5.31	42.8	115	180		631-0000-006	631-0000-001
2000	631-2313-001	15	8.88	6.75	5.75	6.13	6.13	57.5	115	180		631-0000-006	631-0000-001
3000	631-2413-001	15	8.13	9.00	7.50	5.69	7.50	77.1	115	180		631-0000-006	NA
5000	631-2613-001	15	10.38	9.00	7.50	7.56	7.50	116.2	115	180		631-0000-006	

Accessories

Item	Catalog Number	Fig	Estimated Shipping Weight	Dimensions
Primary Fuse Kit	631-0000-001	16	0.3	adds about 1.38" to C dimension
Primary Fuse Covers +	631-0000-002	17	1.0	adds about .25" to C dimension (1.65" total with fuse kit)
Terminal Covers 4 term +	631-0000-004	18	1.0	adds about .25" to C dimension
Terminal Covers 6 term +	631-0000-006	19	1.0	adds about .25" to C dimension

Note: Housing dimensions subject to change without notice. Consult website or factory where dimensions are critical.

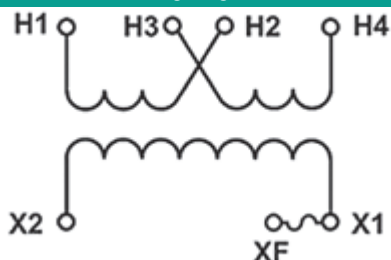
* Secondary fuse clips add 0.5" to C dimension.

+ Catalog number includes covers for 10 transformers.



Group AA Wiring Diagram & Connections

Wiring Diagram

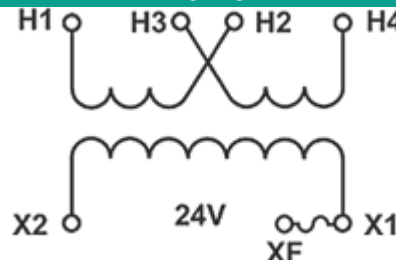


Connections

Primary Volts	Interconnect	Primary Lines Connect To
240/230/220	H1-H3, H2-H4	H1, H4
480/460/440	H2-H3	H1, H4
Sec. Volts	Secondary Lines Connect To	
120/115/110	X2, XF	

Group BB Wiring Diagram & Connections

Wiring Diagram



Connections

Primary Volts	Interconnect	Primary Lines Connect To
480	H2-H3	H1, H4
240	H1-H3, H2-H4	H1, H4
Sec. Volts	Secondary Lines Connect To	
24	X2, XF	

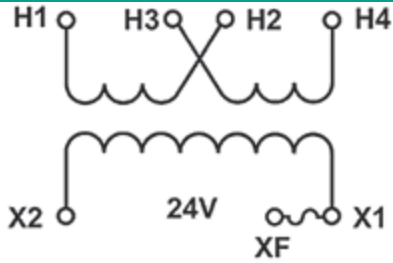
Version JE901.0411

10

Industrial Control

Group CC Wiring Diagram & Connections

Wiring Diagram

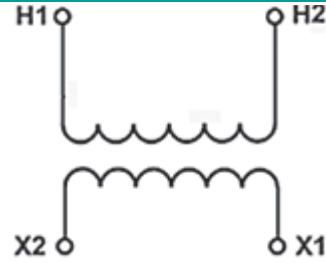


Connections

Primary Volts	Interconnect	Primary Lines Connect To
240	H2-H3	H1, H4
120	H1-H3, H2-H4	H1, H4
Sec. Volts	Secondary Lines Connect To	
24	X2, XF	

Group EE Wiring Diagram & Connections

Wiring Diagram

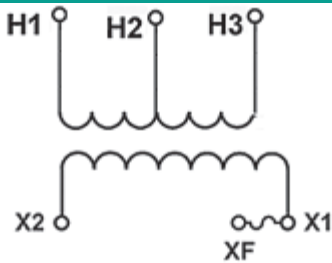


Connections

Primary Volts	Interconnect	Primary Lines Connect To
600/575/550		H1, H2
Sec. Volts	Secondary Lines Connect To	
120/115/110	X2, X1	

Group FF Wiring Diagram & Connections

Wiring Diagram

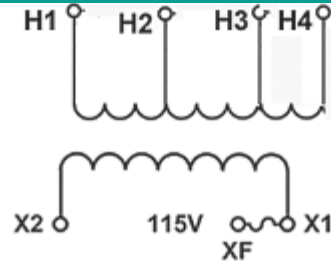


Connections

Primary Volts	Primary Lines Connect To	
277	H1, H3	
208	H2, H3	
Sec. Volts	Secondary Lines Connect To	
120	X2, XF	

Group GG Wiring Diagram & Connections

Wiring Diagram



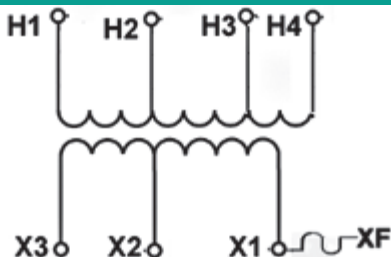
Connections

Primary Volts	Primary Lines Connect To	
460	H1, H4	
230	H2, H4	
208	H3, H4	
Sec. Volts	Interconnect	Secondary Lines Connect To
115		X2, XF

Industrial Control

Group HH Wiring Diagram & Connections

Wiring Diagram

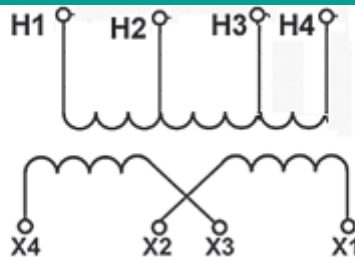


Connections

Primary Volts	Primary Lines Connect To
575	H1, H4
460	H2, H4
230	H3, H4
Sec. Volts	Secondary Lines Connect To
115	X1, X3
95	X2, X3

Group II Wiring Diagram & Connections

Wiring Diagram

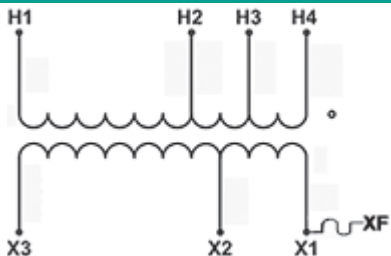


Connections

Primary Volts	Primary Lines Connect To
415	H1, H4
400	H2, H4
380	H3, H4
Sec. Volts	Secondary Lines Connect To
110	X1-X3, X2-X4
220	X2-X3

Group JJ Wiring Diagram & Connections

Wiring Diagram

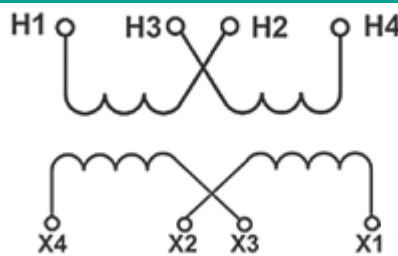


Connections

Primary Volts	Primary Lines Connect To
480/460/440 V	H1, H4
240/230/220 V	H2, H4
208/200 V	H3, H4
Sec. Volts	Secondary Lines Connect To
120/115/110 V	X1, X3
25/24/23 V	X2, X3

Group KK Wiring Diagram & Connections

Wiring Diagram



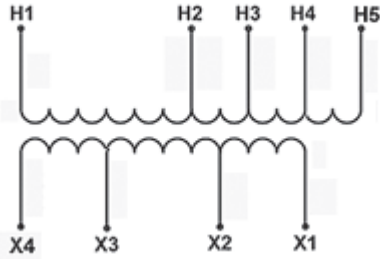
Connections

Primary Volts	Primary Lines Connect To
480 V	H2-H3
240 V	H1-H3, H2-H4
Sec. Volts	Secondary Lines Connect To
120 V	X1-X3, X2-X4
240 V	X2-X3

Note: For Groups JJ and LL read from left to right to match primary to secondary voltages. For example, on Group JJ the 200V primary can have a 115V or 24V secondary.

Group LL Wiring Diagram & Connections

Wiring Diagram

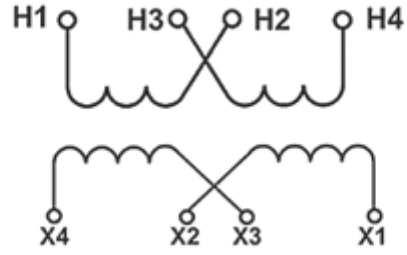


Connections

Primary Volts	Primary Lines Connect To
240/230/220/208 V	H2, H1
416/400/380 V	H3, H1
480/460/440 V	H4, H1
600/575/550/500 V	H5, H1
Sec. Volts	Secondary Lines Connect To
130/125/120/110 V	X4, X1
120/115/110/100 V	X3, X1
99/95/91/85 V	X2, X1

Group MM Wiring Diagram & Connections

Wiring Diagram

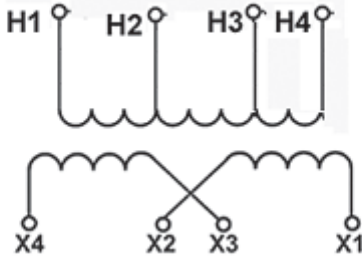


Connections

Primary Volts	Primary Lines Connect To
480/460/440 V	H2-H3
240/230/220 V	H1-H3, H2-H4
Sec. Volts	Secondary Lines Connect To
120/115/110 V	X1-X3, X2-X4
240/230/220 V	X2-X3

Group NN Wiring Diagram & Connections

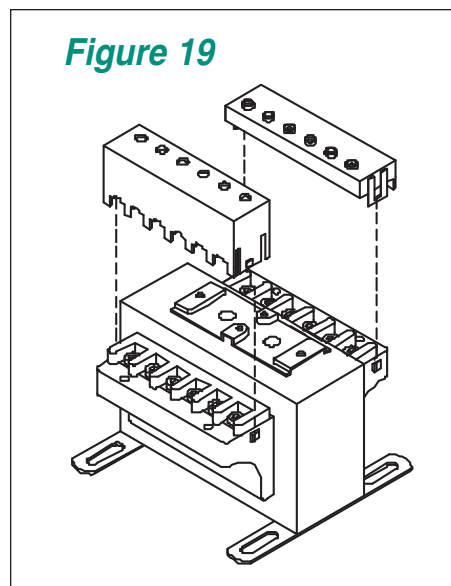
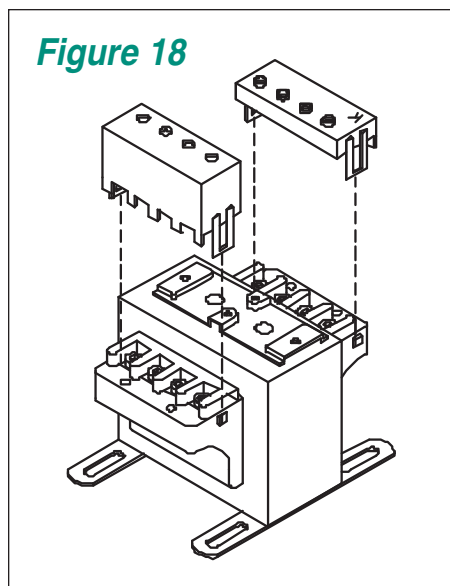
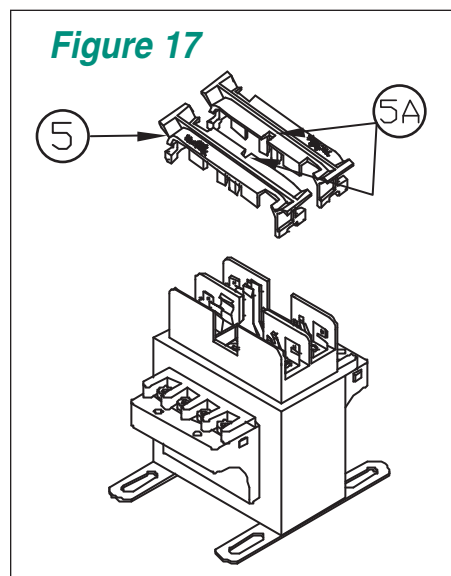
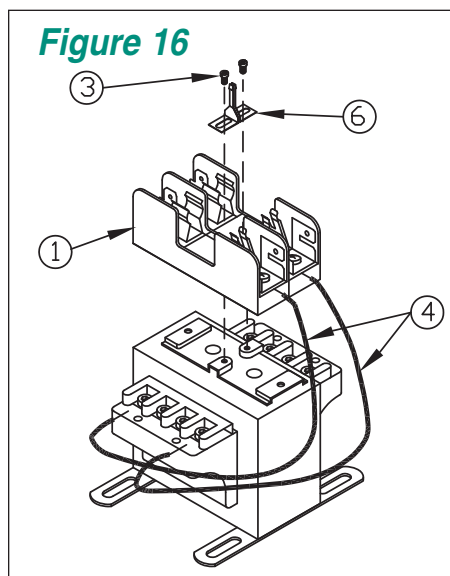
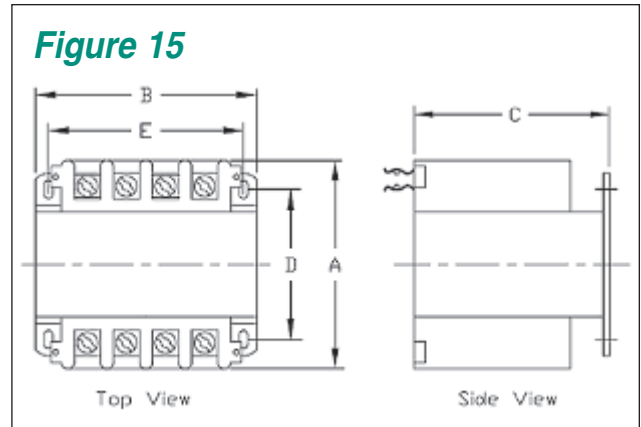
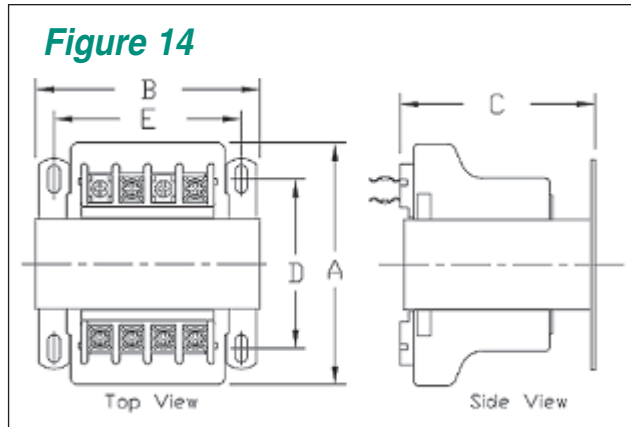
Wiring Diagram



Connections

Primary Volts	Primary Lines Connect To
380 V	H1, H4
347 V	H2, H4
240 V	H3, H4
Sec. Volts	Secondary Lines Connect To
120 V	X1-X3, X2-X4
240 V	X2-X3

Note: For Groups JJ and LL read from left to right to match primary to secondary voltages. For example, on Group JJ the 200V primary can have a 115V or 24V secondary.



Note: Callout numbers 1 to 6 are defined in installation sheets provided with units.

10

Industrial Control

Notes: